

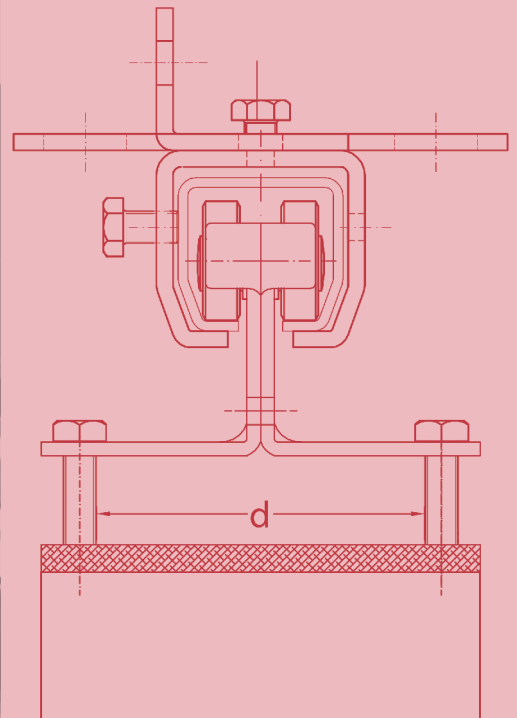
Cable Trolleys and Festoon Systems

Product Catalogue

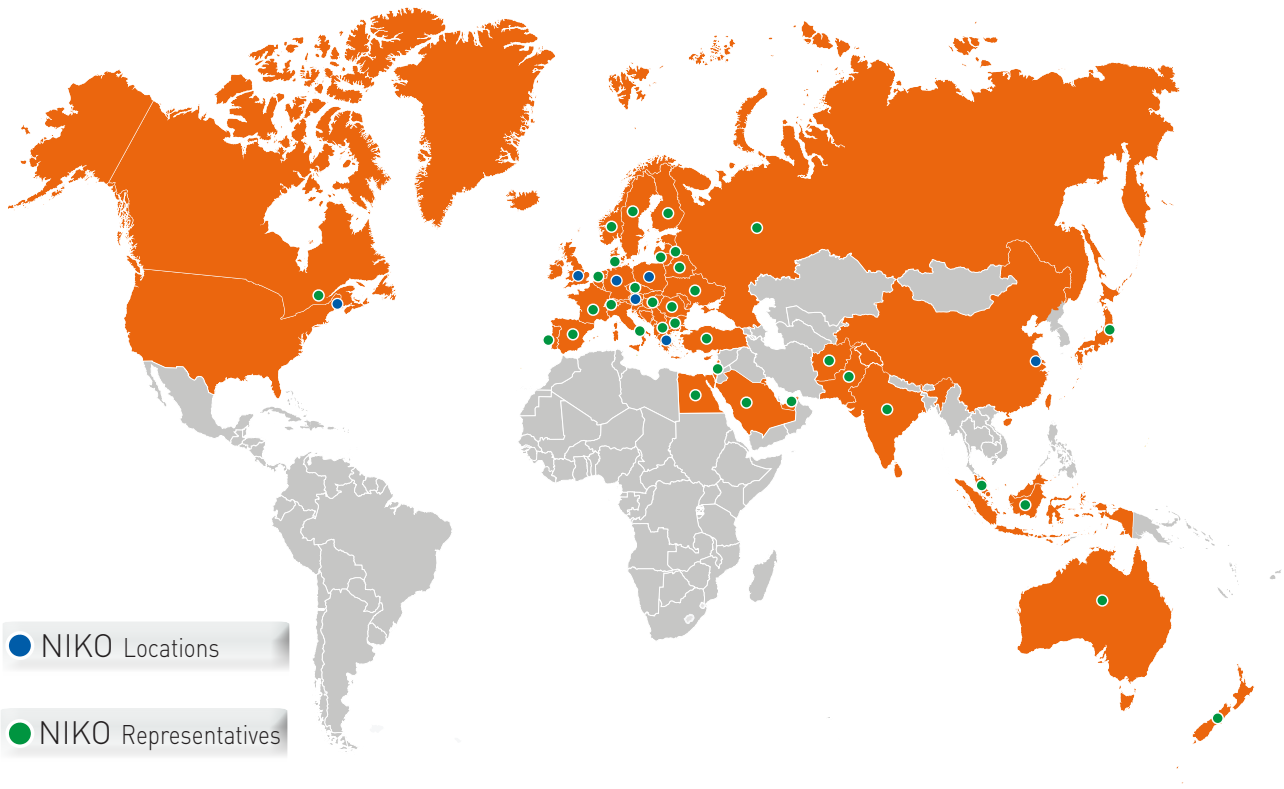
Technical Information
Component Specification



NIKO ... Quality in Motion



www.niko.eu.com
www.niko.co.uk
www.nikotrack.com
www.niko.world



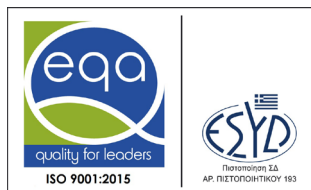
- NIKO Locations
- NIKO Representatives

Company Profile

Established in 1972, NIKO is focused on designing developing, producing and marketing high quality sliding door fittings and overhead conveyor systems at the right price. NIKO currently has a direct presence at seven locations (Greece, Germany, Austria, United Kingdom, Poland, China and U.S.A.), and indirectly through representatives and agents in most European countries, North Africa, Asia and Australia.

Our product range includes more than 2.000 different assemblies & components. Our team of highly qualified engineers are continually working to improve our current product portfolio & extend it according to market requirements.

NIKO enforces a continuous quality control program and is certified according to ISO:9001 and ISO:14001.



Contents

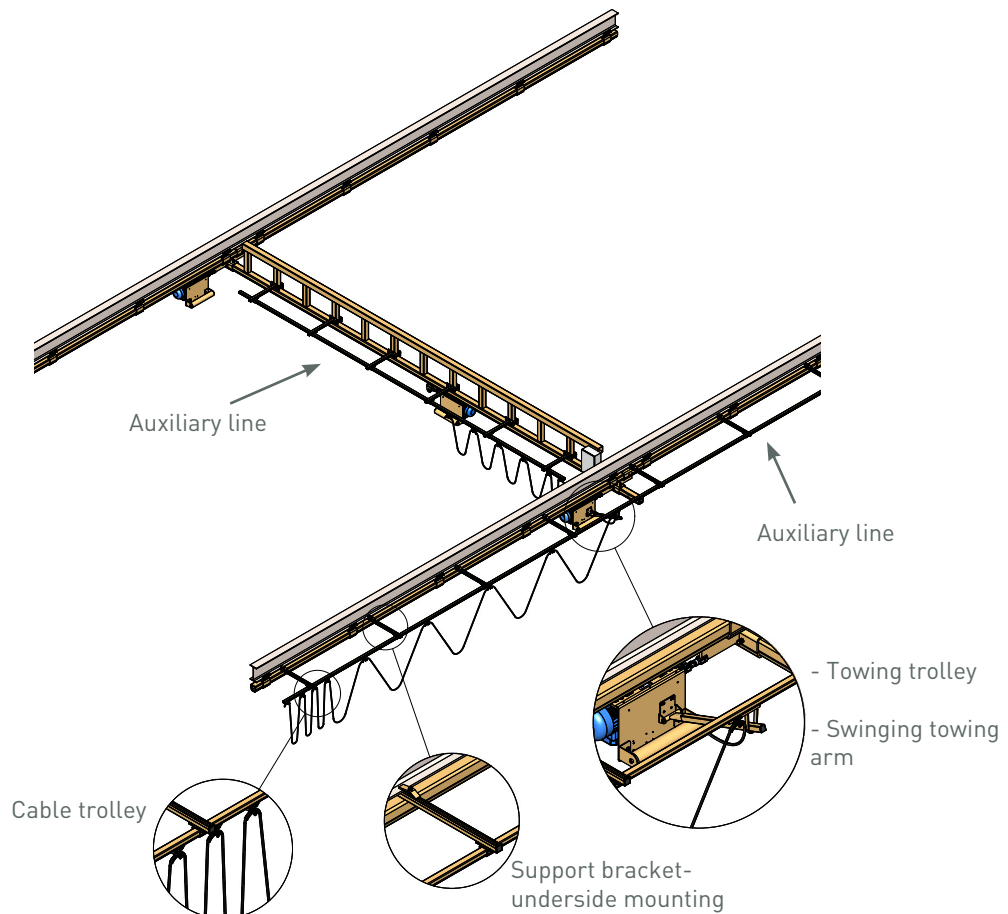
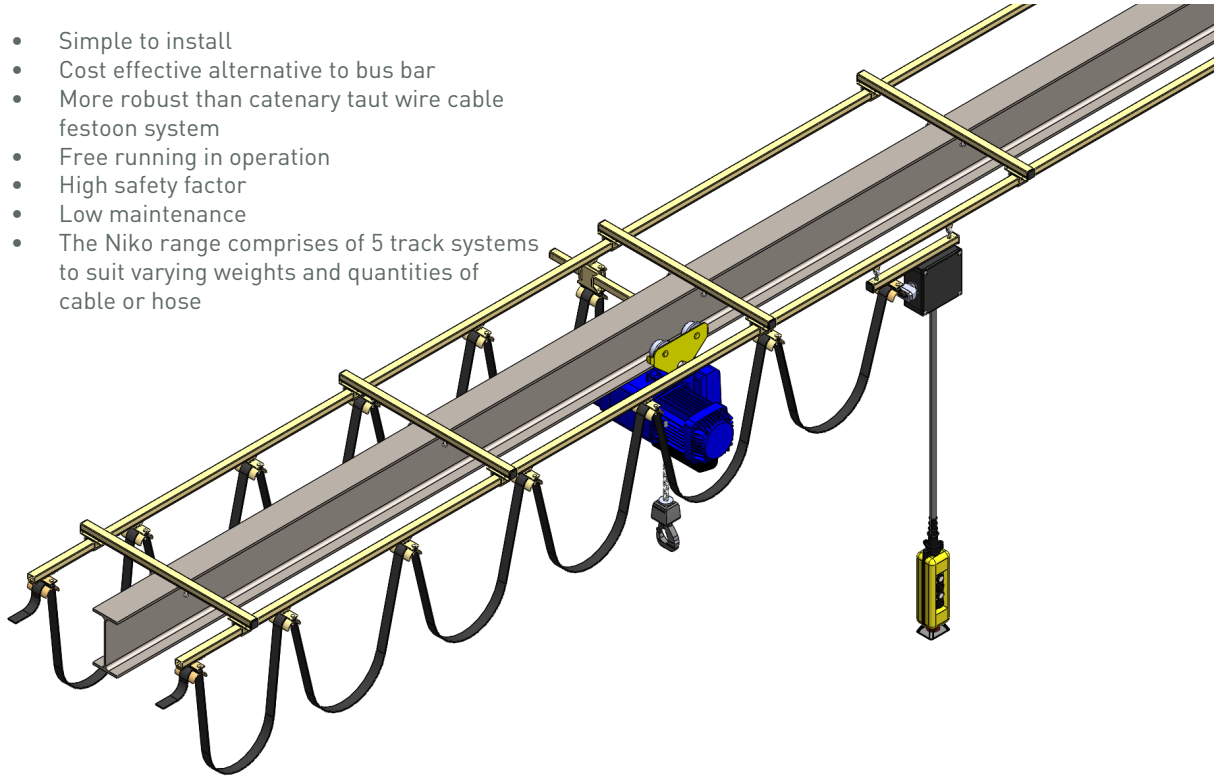
Introduction	Page	4
Calculation of distance between supports	Page	5-6
Application photos	Page	7-8
Track profiles	Page	9
Support brackets, joints, towing arms	Page	10-18
Bearing options	Page	19
Cable trolleys	Page	19-25
Stoppers	Page	25
Trolleys	Page	26-27
Conductor system components	Page	28-33
Cables	Page	34
Stainless steel product range 304/316	Page	35-41
Index	Page	42

NIKO Light Crane Festoon system

NIKO festoon systems are the ideal solution for carrying cables or hoses to feed power to overhead cranes or other moving machinery.

Advantages:

- Simple to install
- Cost effective alternative to bus bar
- More robust than catenary taut wire cable festoon system
- Free running in operation
- High safety factor
- Low maintenance
- The Niko range comprises of 5 track systems to suit varying weights and quantities of cable or hose



Cable Trolleys and Festoon Systems

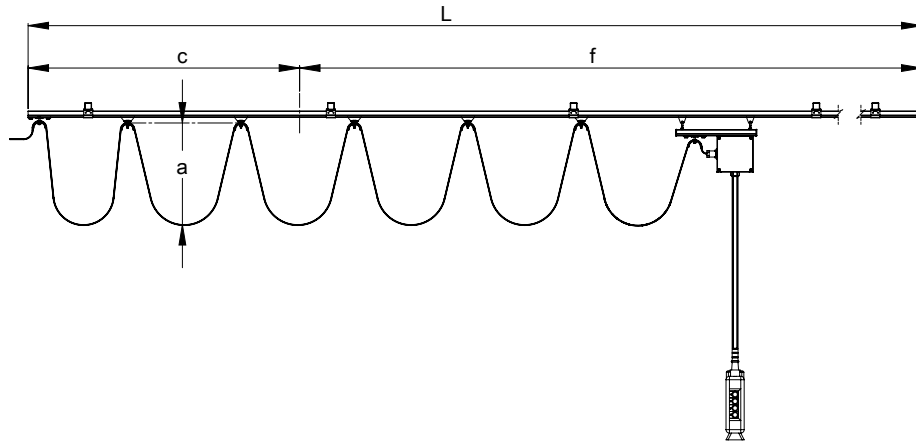
We reserve the right for technical amendments without obligation.
The product pictures and drawings depicted in this catalogue do not always reflect all available sizes.

Ver. March 2018

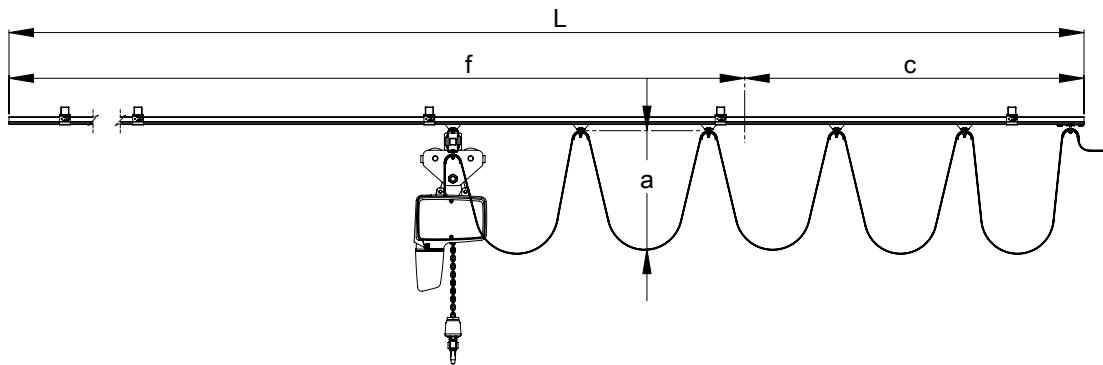
www.niko.eu.com

NIKO conveyor systems for cables or hoses

Control Application



Power Application



Calculation of the Track Length ($L=c+f$) and number of cable trolleys

The length of the track L is determined by adding the length of movement f to the closed parking distance of trolleys c (Refer to corresponding table for the dimension of the cable trolleys width). The number of cable trolleys n depends on the length of travel and on the required loop depth of cable a . The loop depth is governed by the available height between the track and any obstruction or by clients specification. Normally the loop depth is between 0,7 m to 1 m.

Example:

Track length $L= 16$ m, cable loop depth $a= 0,8$ m

Distance between the trolleys $= 2 \times a = 2 \times 0,8 = 1,6$ m

Number of the cable trolleys $n = 16 \text{ m} / 1,6 \text{ m} = 10$ trolleys, one of them being a towing trolley.

The cable section depends on the necessary power supply. Large cable sections have unfavorable bending properties. In this case we recommend to distribute among multiple cables with smaller section sizes.

For round cables: $d_{\text{min}} = 8$ mm, $d_{\text{max}} = 60$ mm (refer to table).

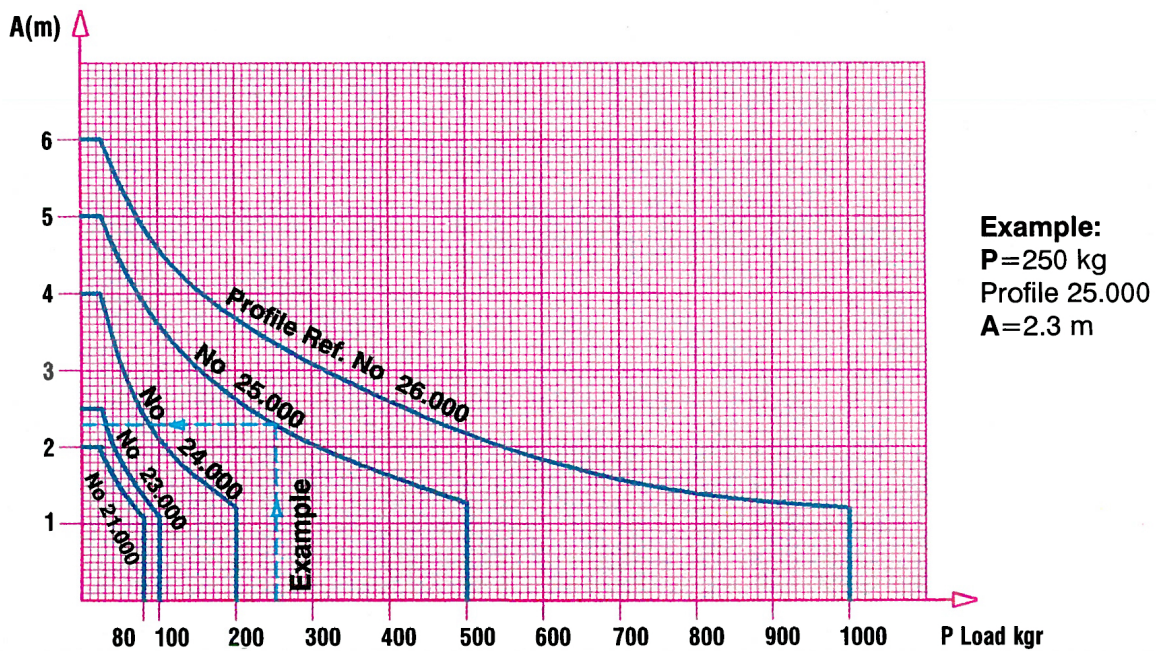
For flat cables: $(dxc)_{\text{max}} = 200 \times 50$ mm (refer to table).

For installations with a high speeds of motion (over 2 m per second) we recommend to use chains, in order to protect the cables.

Calculation of distance between supports

Dimension "A"

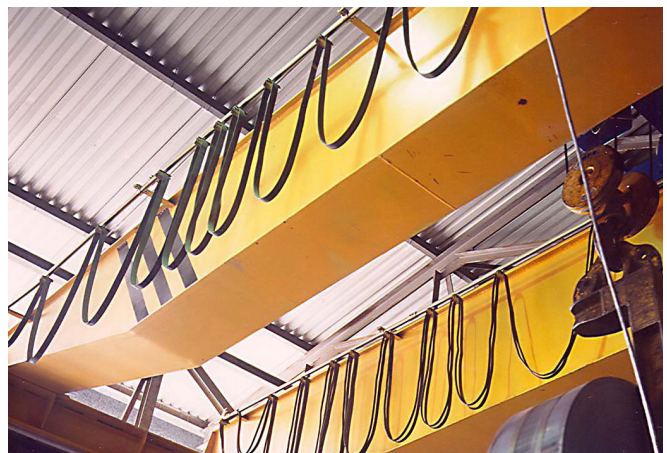
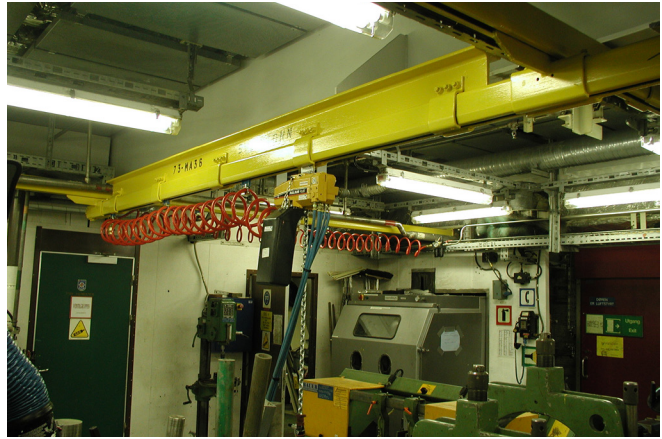
The maximum distance "A" of the track supports can be determined from the diagram detailed below, according to the track profile selected and the required load P (refer to example). Load "P" is the maximum cable weight, achieved during the gathering of the trolleys between two track supports. It depends on the loop depth of the cable as well as on the width of the cable trolleys. Usually, every 1 - 2.5 m there is one track support, while the supports at the cable feed end are installed closer to each other.



CABLE TROLLEYS
AND FESTOON SYSTEMS

NIKO Profile No.	SWL (kg)	Max. load per m of track profile (kg)	Flat cable max dim. (mm)	Round cable max dia. (mm)	Cable trolley's operation temperature C	Cable trolley's speed of motion (m/min)
21.000	10	80	55x40	24	-20 up to +80	60
23.000	30	100	100x30	43	-20 up to +80	120
24.000	40	200	100x40	43	-20 up to +80	180
25.000	80	500	150x50	43	-20 up to +80	200
26.000	100	1000	200x50	43	-20 up to +80	200

Application photos



CABLE TROLLEYS
AND FESTOON SYSTEMS

Application photos

CABLE TROLLEYS
AND FESTOON SYSTEMS



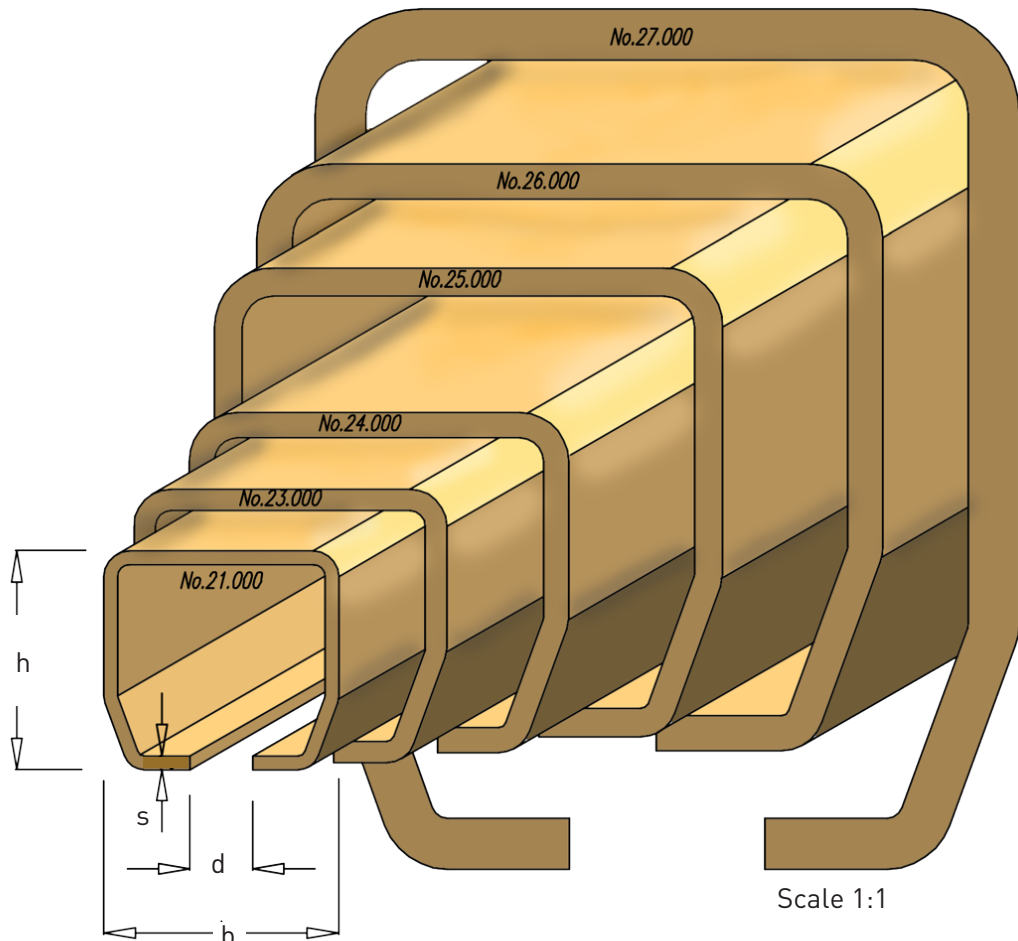
Cable Trolleys and Festoon Systems
We reserve the right for technical amendments without obligation.
The product pictures and drawings depicted in this catalogue
do not always reflect all available sizes.

Component specifications

NIKO Track Profiles

Our wide range of 6 Track profile sizes can accommodate loads up to 2.000 kg. The NIKO enclosed track tapered design allows correct alignment of the trolleys and reduces the possibility of dust build up. This ensures the smooth running of the trolleys and the long life of the crane. NIKO conveyors require only 1-4% force of the weight being lifted in order to operate. For use in aggressive environments we can also offer conveyors in stainless steel grade 304 & 316.

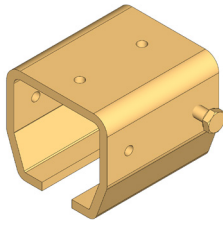
NIKO Profile No.	Dimensions			
	h (mm)	b (mm)	d (mm)	s (mm)
21.000	28	30	8	1,75
21.050/.070 stainless steel	28	30	8	1,75
23.000	35,00	40,00	11,00	2,75
23.050/.070 stainless steel	35,00	40,00	11,00	2,75
24.000	43,50	48,50	15,00	3,20
24.050/.070 stainless steel	43,50	48,50	15,00	3,20
25.000	60,00	65,00	18,00	3,60
25.050/.070 stainless steel	60,00	65,00	18,00	3,60
26.000	75,00	80,00	22,00	4,50
27.000	110,00	90,00	25,00	6,50



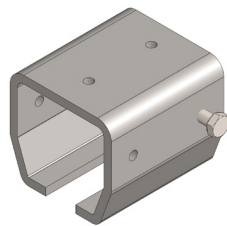
Support bracket

.B00/.B50

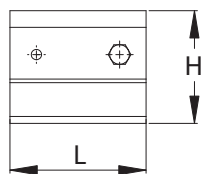
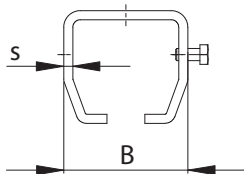
This bracket can be used and adapted for specific applications where standard supports are unsuitable.



.B00



.B50



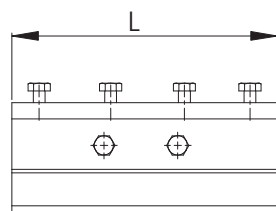
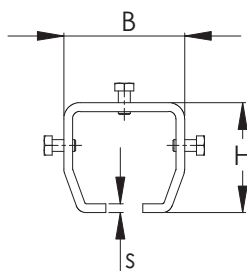
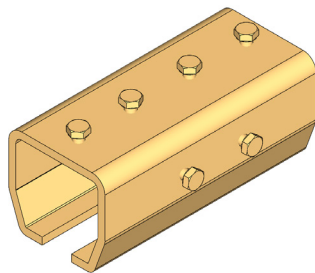
NIKO Profile No.	21.000	23.000	24.000	25.000	26.000	27.000
Support bracket No. Zinc plated	21.B00	23.B00	24.B00	25.B00	26.B00	27.B00
Support bracket No. Black	21.B50	23.B50	24.B50	25.B50	26.B50	27.B50
L (mm)	40	56	68	90	110	120
b (mm)	38	50	61	81	100	116
h (mm)	36	44	54	75	94	133
s (mm)	3	4	4,5	6	8	10

CABLE TROLLEYS AND FESTOON SYSTEMS

Splice joint

.B49

The track sections are joined using the track joint by tightening the top screws first then aligning the profiles by means of the side screws.

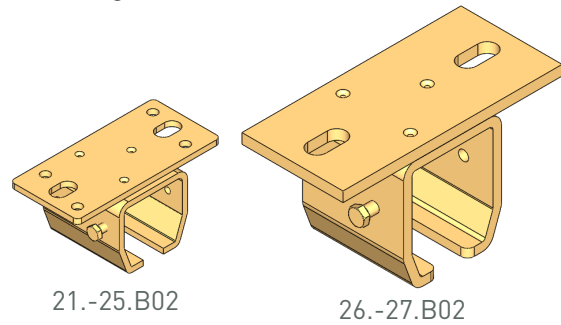


NIKO Profile No.	21.000	23.000	24.000	25.000	26.000	27.000
Part No.	21.B49	23.B49	24.B49	25.B49	26.B49	27.B49
L (mm)	85	120	150	180	200	250
h (mm)	36	44	54	75	94	133
b (mm)	38	50	61	81	100	116
s (mm)	3	4	4,5	6	8	10

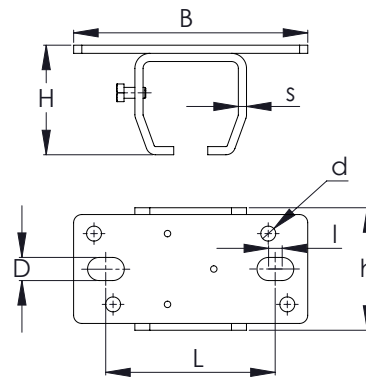
Ceiling support bracket

.B02

This bracket is designed for bolting direct to overhead steelwork or ceiling.



NIKO Profile No.	21.000	23.000	24.000	25.000	26.000	27.000
Part No.	21.B02	23.B02	24.B02	25.B02	26.B02	27.B02
L (mm)	90	115	130	171	210	260
h (mm)	39	50	60	81	104	145
b (mm)	40	50	60	80	100	118
d (mm)	8	11	13	17	22	22
n (mm)	64	81	94	124	149	178,5
s (mm)	3	4	4,5	6	8	10
m (mm)	7	8	8	10	12	23,5

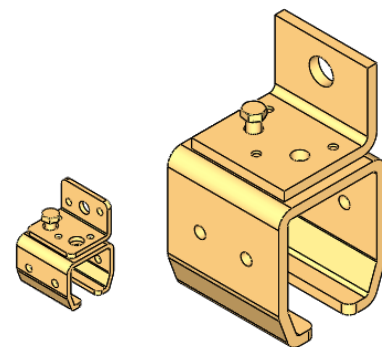


CABLE TROLLEYS AND FESTOON SYSTEMS

Wall support bracket

.B01

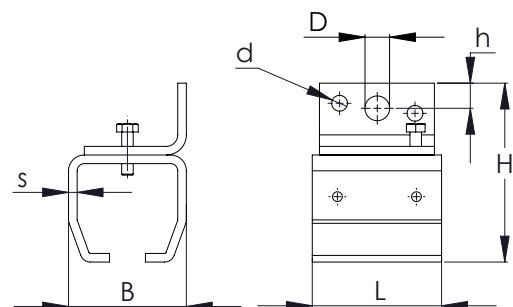
This kind of support is used for mounting the track directly on to a wall as well as for other constructions with mounting bolts.



21.-25.B01

26.-27.B01

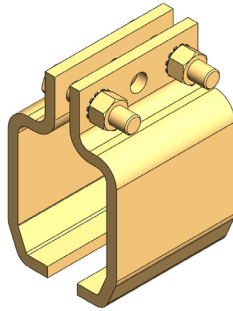
NIKO Profile No.	21.000	23.000	24.000	25.000	26.000	27.000
Part No.	21.B01	23.B01	24.B01	25.B01	26.B01	27.B01
B (mm)	38	50	61	81	100	116
H (mm)	61	79	95	123	156	205
L (mm)	40	56	68	90	110	120
D (mm)	8	11	13	17	22	26
h (mm)	10	13	16	18	24	27
d (mm)	5,2	6,2	8,2	11	-	-
s (mm)	3	4	4,5	6	8	10



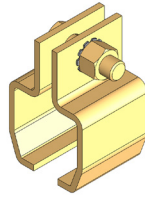
Split Support bracket

.B03

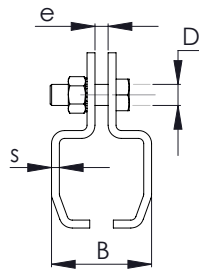
This bracket is generally used for variable height configurations.



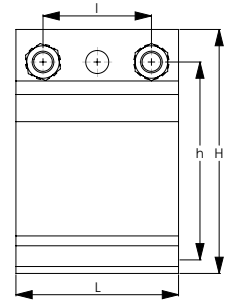
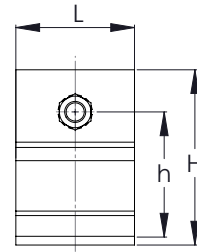
27.B03



21-26.B03



21-26.B03



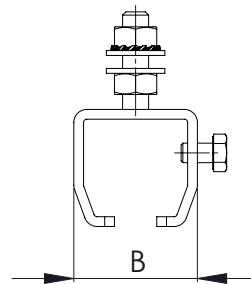
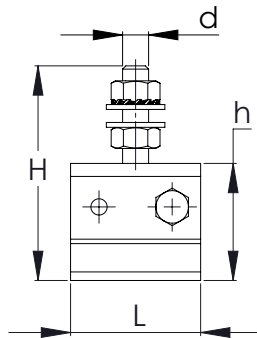
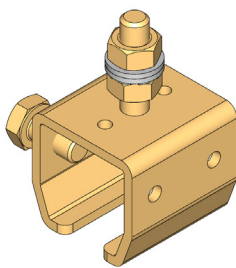
27.B03

NIKO Profile No.	21.000	23.000	24.000	25.000	26.000	27.000
Part No.	21.B03	23.B03	24.B03	25.B03	26.B03	27.B03
B (mm)	36	48	57	77	96	110
H (mm)	65	78	88	131	150	180
L (mm)	40	50	50	90	110	120
h (mm)	47	60	70	94	112	148
s (mm)	3	4	4	6	8	10
e (mm)	6	8	8	10	10	15
d (mm)	M10	M12	M12	M16	M16	M16
l (mm)	-	-	-	-	-	80

CABLE TROLLEYS AND FESTOON SYSTEMS

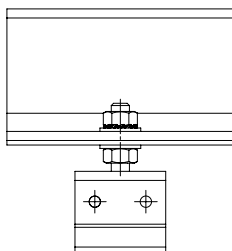
Adjustable bracket, short thread

.B64

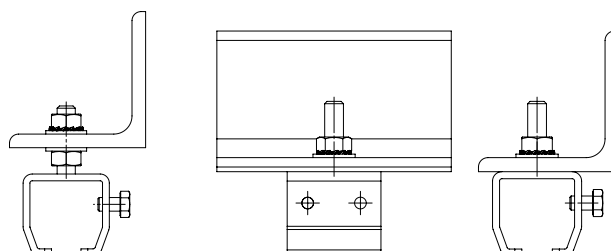


Typical applications of support bracket .B64

1.



2.



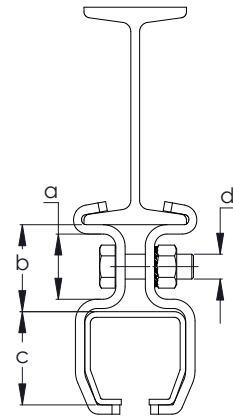
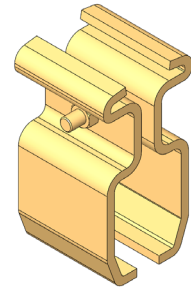
NIKO Profile No.	21.000	23.000
Part No.	21.B64	23.B64
L (mm)	40	56
H (mm)	66	85
h (mm)	36	44
B (mm)	38	50
d (mm)	M8	M16

Split suspension bracket

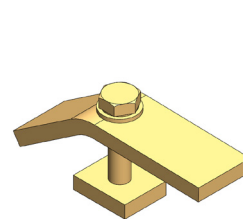
.B08/.B26

This bracket is used for mounting directly to the underside flange of a parallel I beam.

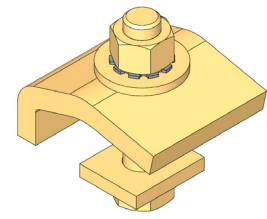
NIKO Profile No.	23.000	24.000	25.000	26.000	27.000
Dimension a in mm.	25	25	42	45	66
Dimension b in mm.	34	34	56	63	90
Dimension c in mm.	35	43,5	60	75	110
Screw type [d]	M8x30	M8x30	M16x50	M16x50	M16x50
Material	50x4	50x4	90x6	110x8	120x10
Split Suspension Bracket Joist IPN DIN 1025					
For IPN 80x42 (IPE 80)	23.B08	24.B08			
For IPN 100x50 (IPE 80)	23.B10	24.B10	25.B10		
For IPN 120x58 (IPE 100)	23.B12	24.B12	25.B12		
For IPN 140x66 (IPE 120)	23.B14	24.B14	25.B14		
For IPN 160x74 (IPE 140)		24.B16	25.B16	26.B16	
For IPN 180x82 (IPE 160)		24.B18	25.B18	26.B18	
For IPN 200x90 (IPE 180)		24.B20	25.B20	26.B20	27.B20
For IPN 220x98 (IPE 200)			25.B22	26.B22	27.B22
For IPN 240x106 (IPE 220)			25.B24	26.B24	27.B24
For IPN 260x113 (IPE 240)			25.B26	26.B26	27.B26



Adjustable suspension bracket (girder clamp) .B37

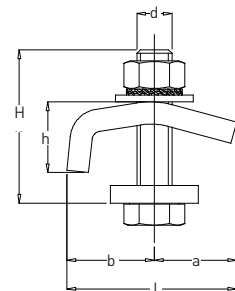
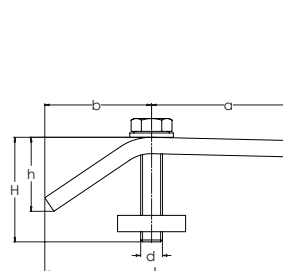


21.B37



23.-25.B37

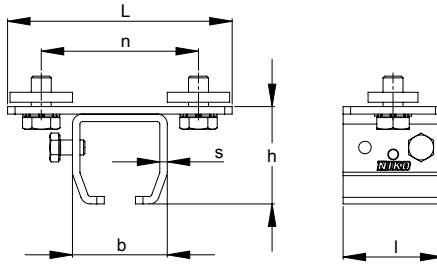
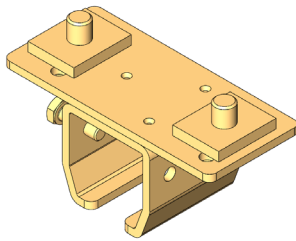
NIKO Profile No.	21.000	23.000	25.000
Part No.	21.B37	23.B37	25.B37
l (mm)	90	62	80
a (mm)	50	30	40
b (mm)	40	32	40
h (mm)	26	24	30
d (mm)	M8	M12	M16
H (mm)	40	60	70



CABLE TROLLEYS AND FESTOON SYSTEMS

Ceiling support bracket with square nuts

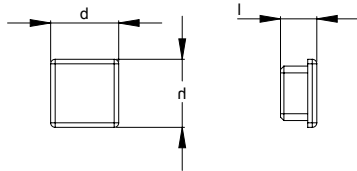
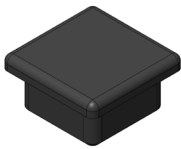
.B62



NIKO Profile No.	21.000	23.000
Part No.	21.B62	23.B62
L (mm)	90	115
h (mm)	39	50
b (mm)	38	50
n (mm)	64	81
l (mm)	40	56
s (mm)	3	4

Plastic end cap for track profile 21. & 23.000

X6.130-.330

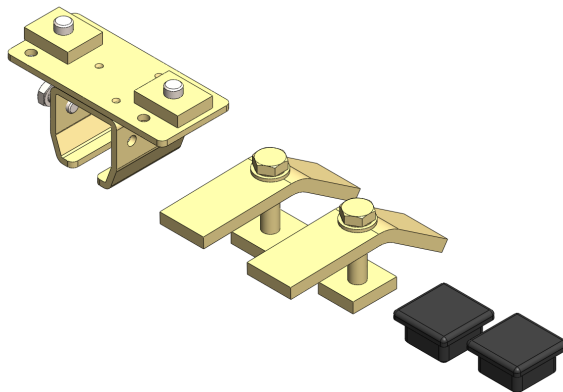


Part No.	X6.130	X6.330
b (mm)	30	35
h (mm)	30	35
l (mm)	16	19

Set for customized brackets

21.Z60

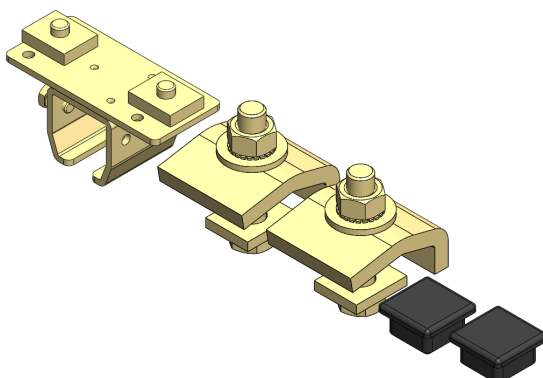
For support bracket assemblies .B60 & .B63



Included in the set:

- support bracket 21.000 x 1
- adjustable suspension bracket (21.B37) x 2
- plastic plugs x 2

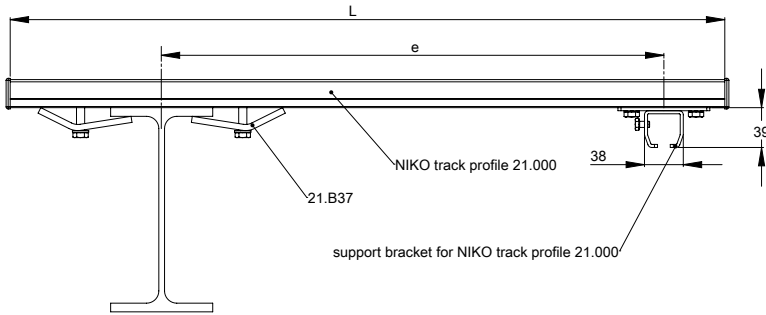
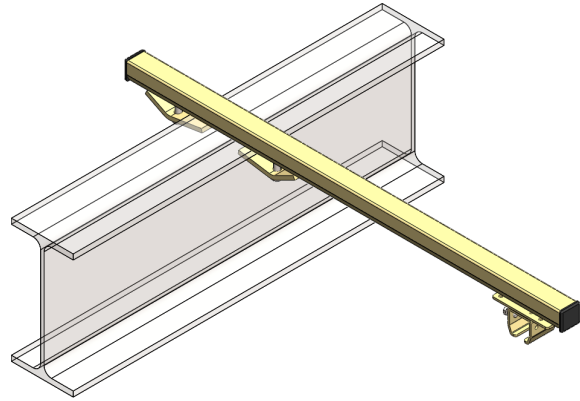
23.Z60



Included in the set:

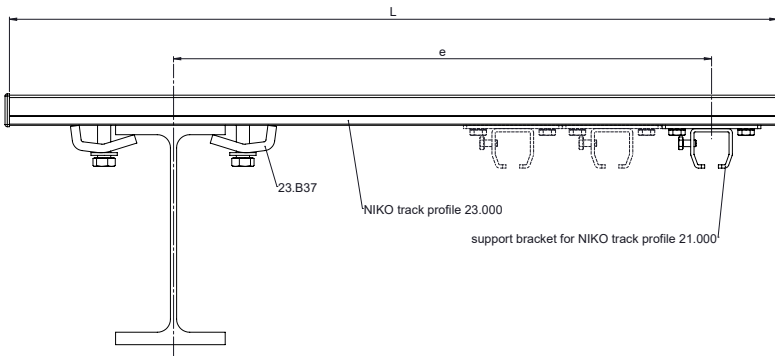
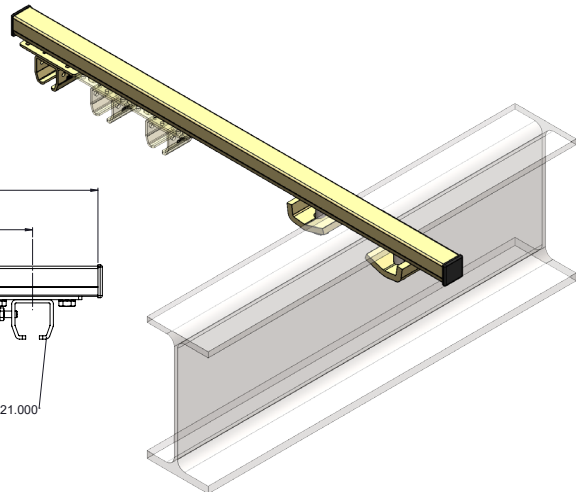
- support bracket 21.000 x 1
- adjustable suspension bracket (23.B37) x 2
- plastic plugs x 2

Support bracket assembly (top mounting) 21.B60



NIKO Profile No.	21.000		
Part No.	21.B60.500	21.B60.600	21.B60.700
L (mm)	500	600	700
e (mm)	350	450	550
Max kg/per bracket	40	30	25

Support bracket assembly (top mounting) 23.B60

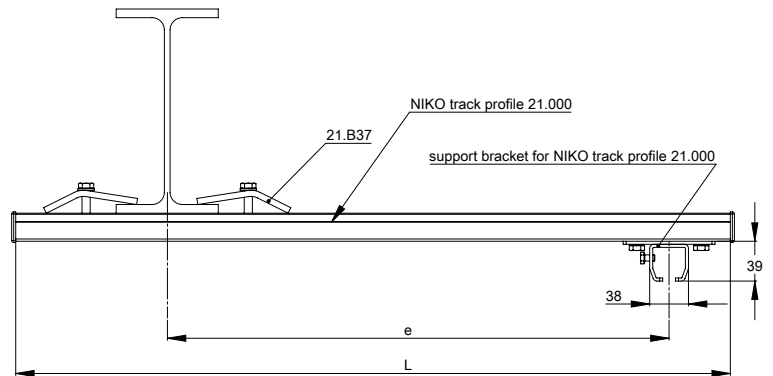
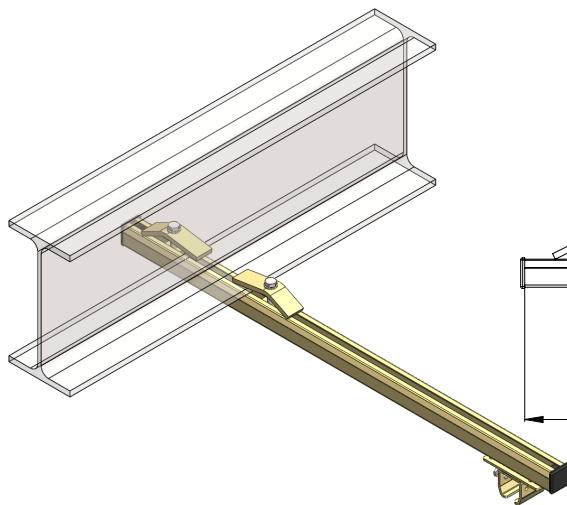


NIKO Profile No.	21.000				
Part No.	23.B60.500	23.B60.600	23.B60.700	23.B60.800	23.B60.900
L (mm)	500	600	700	800	900
e (mm)	350	450	550	650	750
Max kg/per bracket	40	30	25	35	30

CABLE TROLLEYS AND FESTOON SYSTEMS

Support bracket assembly (underside mounting)

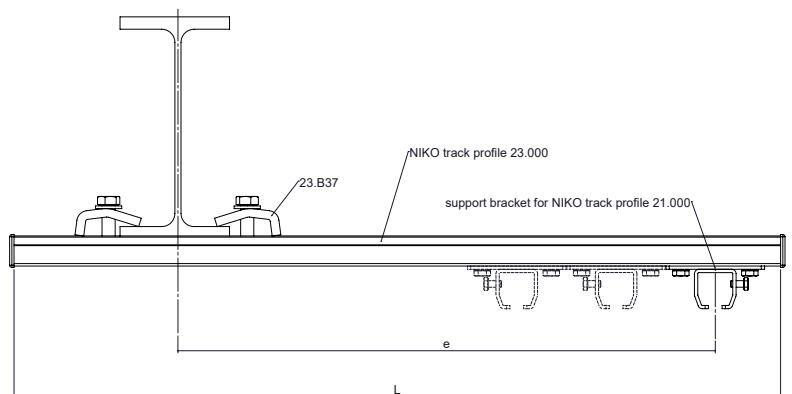
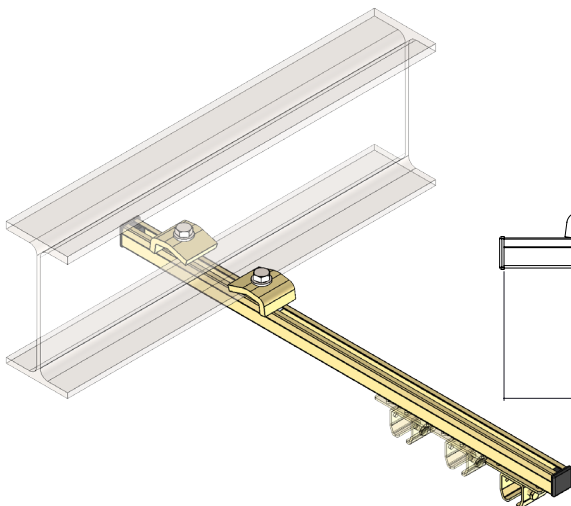
21.B63



NIKO Profile No.	21.000		
Cable trolley No.	21.B63.500	21.B63.600	21.B63.700
L (mm)	500	600	700
e (mm)	350	450	550
Max kg/per bracket	40	30	25

Support bracket assembly (underside mounting)

23.B63

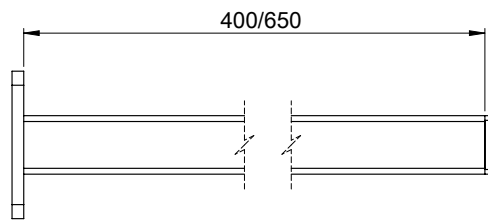
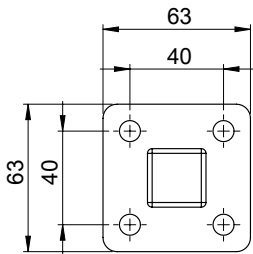
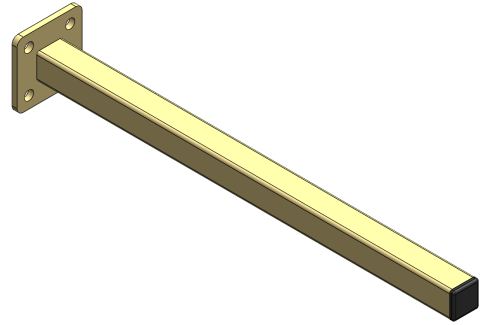


NIKO Profile No.	21.000				
Cable trolley No.	23.B63.500	23.B63.600	23.B63.700	23.B63.800	23.B63.900
L (mm)	500	600	700	800	900
e (mm)	350	450	550	650	750
Max kg/per bracket	65	50	40	35	30

Towing arm

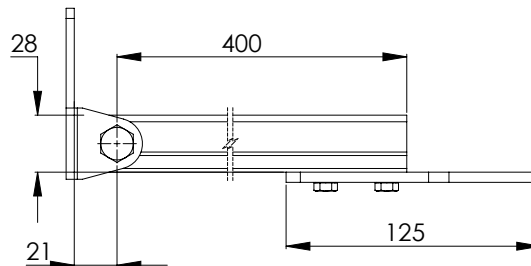
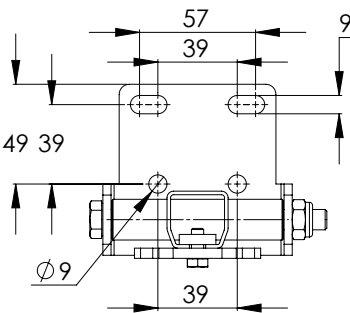
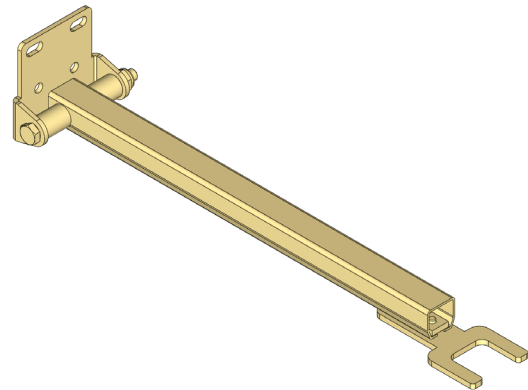
21.Z31.400/21.Z31.650

21.Z31.400 (Arm length - L=400 mm), 21.Z31.650 (Arm length - L=650 mm)



Swinging towing arm

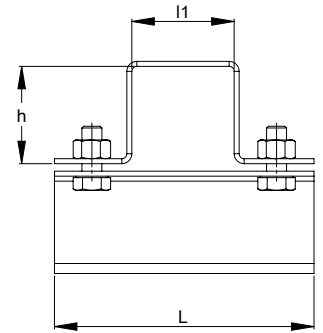
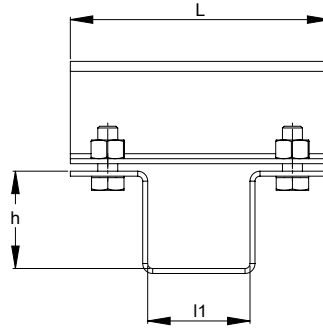
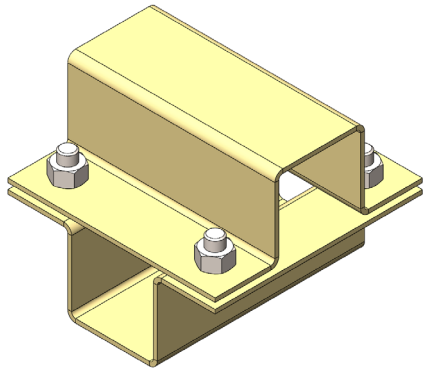
21.Z32



CABLE TROLLEYS
AND FESTOON SYSTEMS

Square tube connector clamp

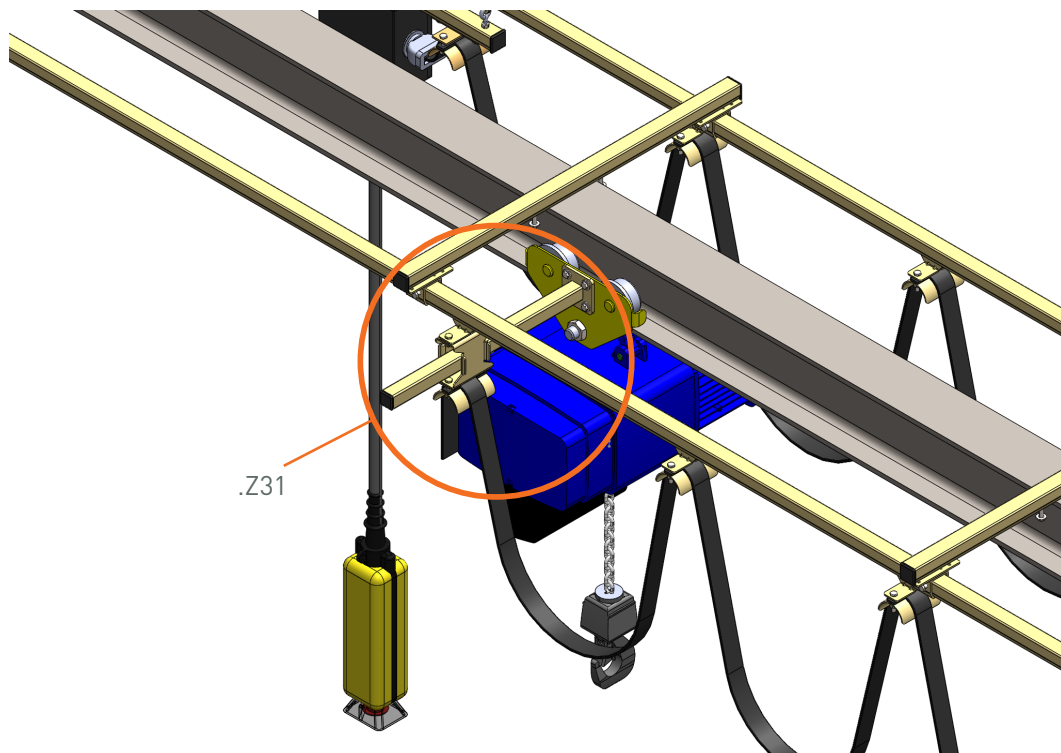
21.Z61



NIKO Profile No.	21.000	
Part No.	21.Z61	21.Z62
L (mm)	104	104
l1 (mm)	41	51
h (mm)	39	49
	suitable for sq. tube 40x40	suitable for sq. tube 50x50



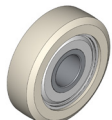
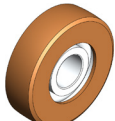
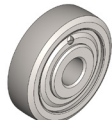
CABLE TROLLEYS AND FESTOON SYSTEMS

Towing arm example



.Z31

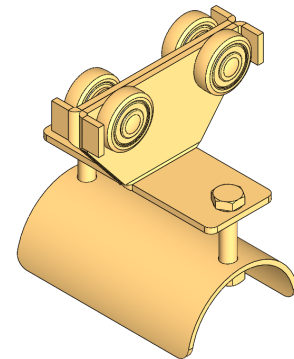
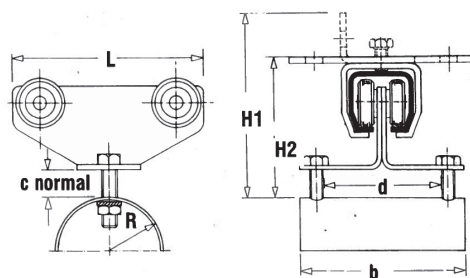
NIKO bearing options

	NIKO-Profile	21.	23.	24.	25.	26.	27.
	Standard bearings for operating temperatures from -20°C to 80°C	21	23	24	25	26	27
	Nylon tyred bearings		PL.23	PL.24	PL.25	PL.26	PL.27
	Heavy duty polyamide tyred bearings		PLN.23	PLN.24	PLN.25	PLN.26	PLN.27
	Phosphor bronze tyred bearing		PB.23	PB.24	PB.25	PB.26	PB.27
	Stainless steel bearings for operating temperatures from -20°C to 80°C	IN.21	IN.23	IN.24	IN.25		

Flat cable trolley

.L10/.L13

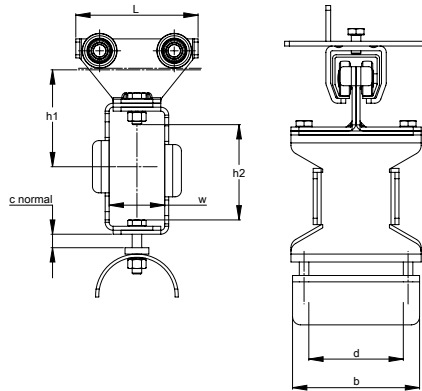
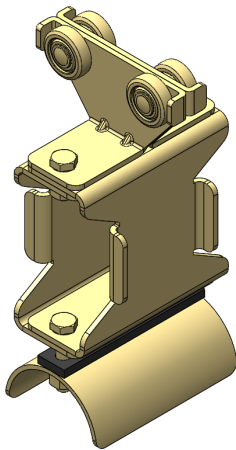
Flat cable trolleys are suitable for the transport of flat cables of various dimensions (refer to table).



NIKO Profile No.	21.000		23.000			24.000			25.000	26.000
Part No.	21.L10	21.L13	23.L10	23.L11	23.L12	24.L10	24.L11	24.L12	25.L10	26.L10
Cable max (mm)	55X20	55X40	55X30	100X30	55x40	55X40	100X40	80x40	150X50	200X50
L (mm)	77	130	130	130	170	160	160	190	220	220
H1 (mm)	94	94	140	140	140	175	175	175	214	258
H2 (mm)	74	74	115	115	115	140	140	140	172	198
b (mm)	80	80	80	140	80	80	140	120	190	240
c (mm)	12	30	20	20	30	24	24	30	38	38
d (mm)	55	55	55	100	55	55	100	80	150	200
R (mm)	25	25	45	45	45	55	55	55	70	70

Flat cable towing trolley

.M14

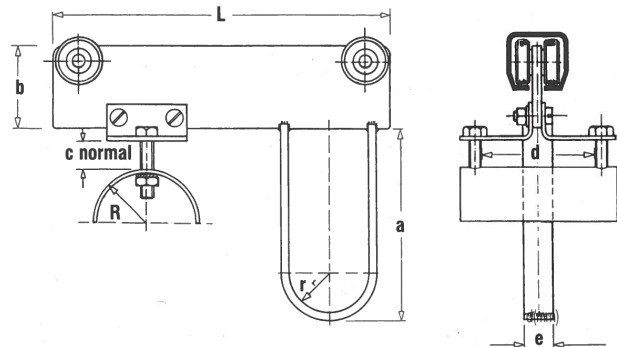
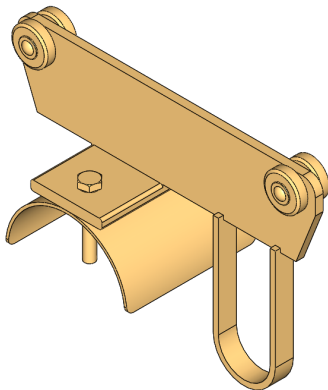


NIKO Profile No.	21.000	23.000	24.000	25.000	26.000
Part No.	21.M14	23.M14	24.M14	25.M14	26.M14
Cable max (mm)	55x20	100x30	100x40	150x50	200x50
L (mm)	77	130	160	220	220
h1 (mm)	80	80	80	90	90
w (mm)	40	40	40	50	50
h2 (mm)	94	94	94	156	156
c normal (mm)	12	20	24	38	38
d (mm)	55	100	100	150	200
b (mm)	80	80	140	190	240

Flat cable towing trolley

.M10/.M13

This trolley is pulled along by means of a towing arm fitted to the travelling device and inserted into the stirrup section of the trolley. It cannot be used on curved tracks.

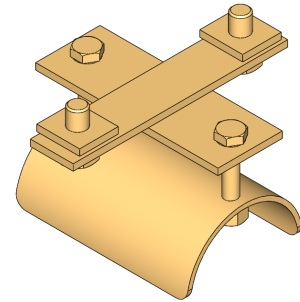
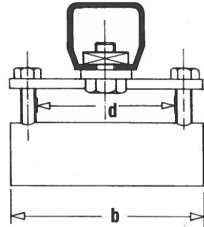
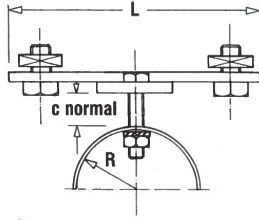


NIKO Profile No.	21.000		23.000			24.000			25.000	26.000
Part No.	21.M10	21.M13	23.M10	23.M11	23.M12	24.M10	24.M11	24.M12	25.M10	26.M10
Cable max (mm)	55X20	55X40	55X30	100X30	55x40	55X40	100X40	80x40	150X50	200X50
L (mm)	165	200	230	230	230	260	260	260	360	360
a (mm)	94	94	94	94	94	94	94	94	156	156
b (mm)	40	40	60	60	60	60	60	60	90	110
c (mm)	12	30	20	20	30	24	24	30	38	38
d (mm)	55	55	55	100	55	55	100	80	150	200
e (mm)	15	15	15	15	15	15	15	15	20	20
R (mm)	25	25	45	45	45	55	55	55	70	70
r (mm)	20	20	20	20	20	20	20	20	40	40

Flat cable end clamp

.K10/.K13

The flat cable end clamps are installed at the end of the conveyor system and guarantee the stability of the cable from the point of electric or hydraulic supply to the driven cable trolley.



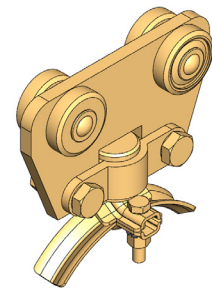
NIKO Profile No.	21.000		23.000			24.000			25.000	26.000
Part No.	21.K10	21.K13	23.K10	23.K11	23.K12	24.K10	24.K11	24.K12	25.K10	26.K10
Cable max (mm)	55X20	55x40	55X30	100X30	55x40	55X40	100X40	80x40	150X50	200X50
L (mm)	100	100	150	150	150	180	180	180	210	210
b (mm)	80	80	80	140	80	80	140	120	190	240
c (mm)	12	30	20	20	30	24	24	30	38	38
d (mm)	55	55	55	100	55	55	100	80	150	200
R (mm)	25	25	45	45	45	55	55	55	70	70

Round cable or hose trolley

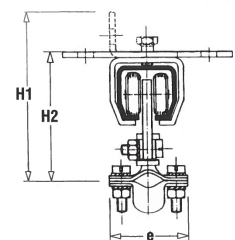
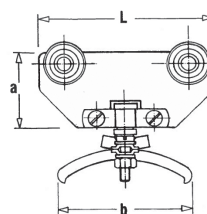
.L15-.L43

These trolleys are suitable for the transport of flexible cables and hoses of various dimensions.

NIKO Profile No.	21.000		23.000				24.000			
Part No.	21.L15	21.L24	23.L15	23.L24	23.L32	23.L43	24.L15	24.L24	24.L32	24.L43
Cable (mm)	8-15	16-24	8-15	16-24	25-32	33-43	8-15	16-24	25-32	33-43
H1 (mm)	91	96	116	121	123	130	140	142	148	158
H2 (mm)	68	73	90	95	97	106	104	106	112	122
L (mm)	90	90	100	100	150	150	100	100	150	150
a (mm)	40	40	60	60	60	60	70	70	70	70
b (mm)	70	100	70	100	142	175	70	100	142	175
e (mm)	40	54	40	54	83	108	40	54	83	108



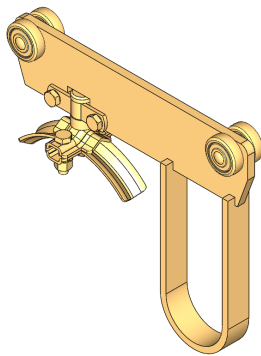
NIKO Profile No.	25.000				26.000			
Part No.	25.L15	25.L24	25.L32	25.L43	26.L15	26.L24	26.L32	26.L43
Cable (mm)	8-15	16-24	25-32	33-43	8-15	16-24	25-32	33-43
H1 (mm)	170	172	178	188	203	205	211	221
H2 (mm)	125	127	133	143	148	150	156	166
L (mm)	170	170	170	170	220	220	220	220
a (mm)	90	90	90	90	110	110	110	110
b (mm)	70	110	142	175	70	100	142	175
e (mm)	40	54	83	108	40	54	83	108



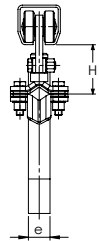
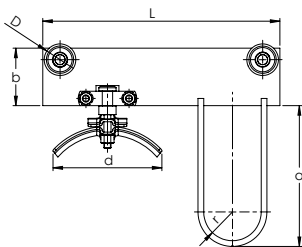
Round cable or hose towing trolley

.M15-.M43

This trolley is pulled along by means of a towing arm fitted to the travelling device and inserted into the stirrup section of the trolley. It cannot be used on the curved tracks.



NIKO Profile No.	21.000		23.000				24.000			
Part No.	21.M15	21.M24	23.M15	23.M24	23.M32	23.M43	24.M15	24.M24	24.M32	24.M43
Cable (mm)	8-15	16-24	8-15	16-24	25-32	33-43	8-15	16-24	25-32	33-43
L (mm)	165	165	230	230	230	310	230	230	310	310
a (mm)	94	94	94	94	94	94	94	94	94	94
b (mm)	40	40	60	60	60	60	70	70	70	70
e (mm)	15	15	15	15	15	15	15	15	15	15
r (mm)	20	20	20	20	20	20	20	20	20	20

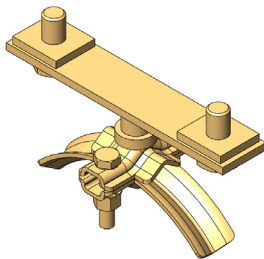


NIKO Profile No.	25.000				26.000			
Part No.	25.M15	25.M24	25.M32	25.M43	26.M15	26.M24	26.M32	26.M43
Cable (mm)	8-15	16-24	25-32	33-43	8-15	16-24	25-32	33-43
L (mm)	360	360	360	360	360	360	360	360
a (mm)	94	94	94	94	94	94	94	94
b (mm)	90	91	92	93	110	110	110	110
e (mm)	20	20	20	20	20	20	20	20
r (mm)	20	20	20	20	20	20	20	20

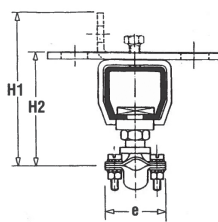
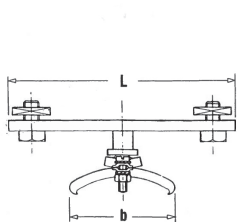
Round cable or hose end clamp

.K15-.K43

This round cable end clamp is installed at the end of the conveyor system and guarantees the stability of the cable from the point of electric or hydraulic supply to the driven cable trolley.



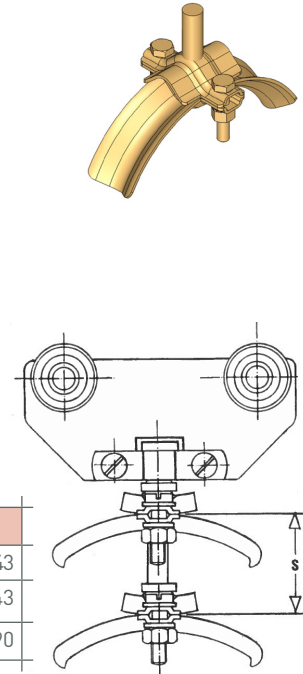
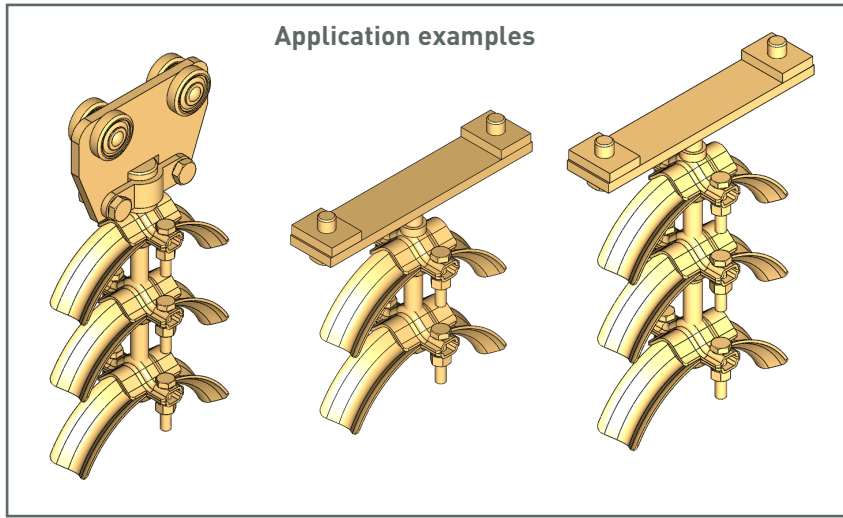
NIKO Profile No.	21.000		23.000				24.000			
Part No.	21.K15	21.K24	23.K15	23.K24	23.K32	23.K43	24.K15	24.K24	24.K32	24.K43
Cable (mm)	8-15	16-24	8-15	16-24	25-32	33-43	8-15	16-24	25-32	33-43
L (mm)	100	100	150	150	150	150	150	150	150	150
H1 (mm)	73	78	95	100	105	115	114	119	125	135
H2 (mm)	50	55	69	74	79	89	79	84	90	100
e (mm)	40	54	40	54	83	108	40	54	83	108
b (mm)	70	100	70	100	142	175	70	100	142	175



NIKO Profile No.	25.000				26.000			
Part No.	25.K15	25.K24	25.K32	25.K43	26.K15	26.K24	26.K32	26.K43
Cable (mm)	8-15	16-24	25-32	33-43	8-15	16-24	25-32	33-43
L (mm)	210	210	210	210	210	210	210	210
a (mm)	144	149	155	165	167	172	178	188
b (mm)	100	105	111	121	123	128	134	144
e (mm)	40	54	83	108	40	54	83	108
r (mm)	70	100	142	175	70	100	142	175

Individual round cable or hose clamp .N15-.N43

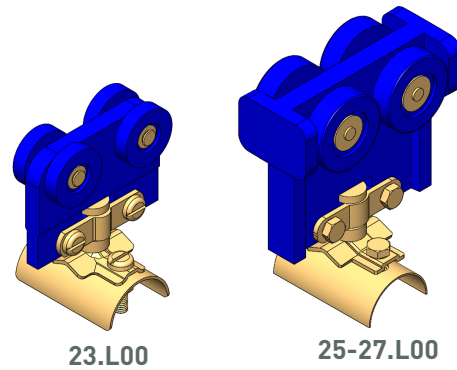
Several cable clamps of equal or varying diameters can be placed in round cable trolleys.



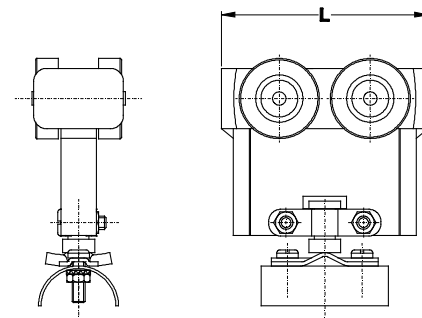
NIKO Profile No.	21.000		23.000				24.000			
Part No.	21.N15	21.N24	23.N15	23.N24	23.N32	23.N43	24.N15	24.N24	24.N32	24.N43
Cable (mm)	8-15	16-24	8-15	16-24	25-32	33-43	8-15	16-24	25-32	33-43
s (mm)	32	50	32	50	70	90	32	50	70	90

Cable trolley (nylon) .L00

This trolley is used for carrying flat cable for electrical power supply and can be adapted for hoses and round cables.



NIKO Profile No.	21.000	23.000	24.000	25.000	26.000	27.000
Part No.	23.L00		25.L00		27.L00	
For cable dimensions	flat up to 23x10mm & round up to 15mm diameter		flat up to 23x10mm & round up to 15mm diameter		flat up to 23x10mm & round up to 15mm diameter	
L (mm)	60		80		80	

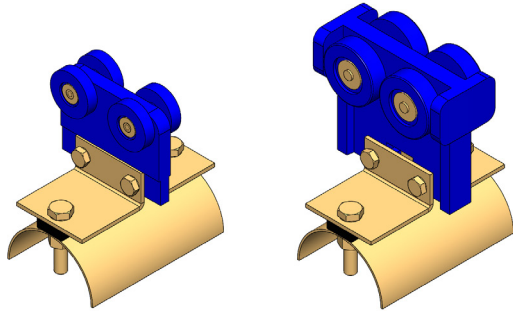


CABLE TROLLEYS AND FESTOON SYSTEMS

Cable trolley (nylon)

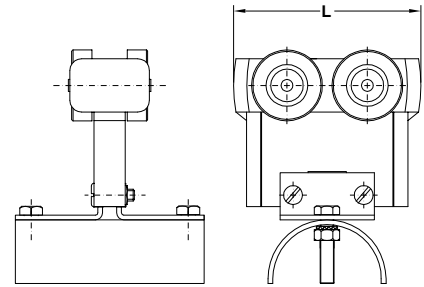
.L01

The cable trolleys are used in electric operated systems for the transport of flexible cables from the fixed power supply to the machine or electric hoist.



23.L01

27.L01

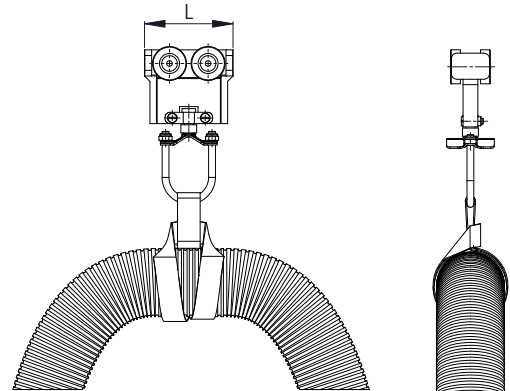
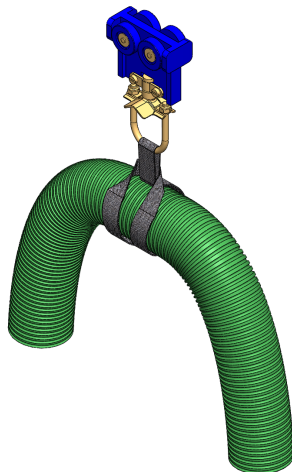


NIKO Profile No.	21.000	23.000	24.000	25.000	26.000	27.000
Part No.	23.L01		25.L01		27.L01	
For cable dimensions	flat up to 55x20mm		flat up to 55x20mm		flat up to 55x20mm	
L (mm)	60		80		80	

Cable trolley (nylon)

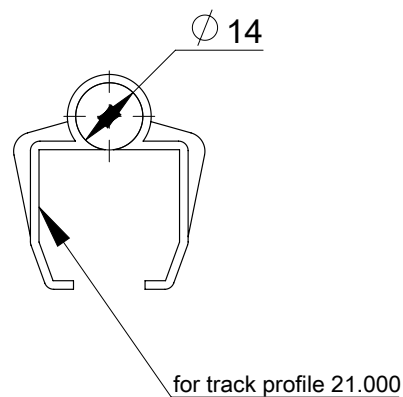
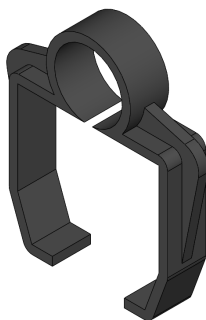
.L19

This trolley is used for carrying hoses up to 120mm.



NIKO Profile No.	21.000	23.000	24.000	25.000	26.000	27.000
Part No.	23.L19		25.L19		27.L19	
L (mm)	60		80		80	

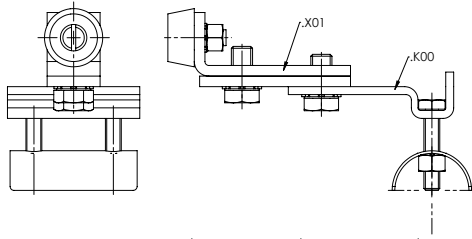
Plastic clip to clamp cable to top of „C“ track 21.X21



Cable end clamp

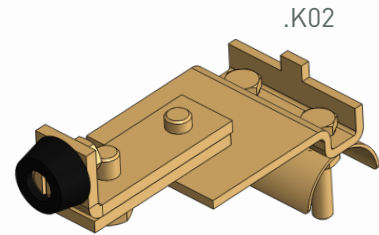
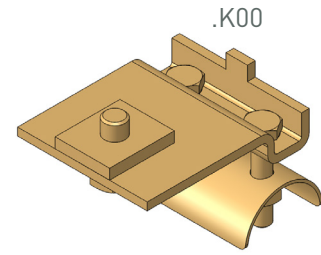
.K00/.K02

.K00 refers to the clamp only and .K02 is used as an end stop and cable end clamp combined. It is installed at the power source end of the track.



NIKO Profile No.	23.000	24.000	25.000	26.000	27.000
Part No.	23.K00	24.K00	25.K00	26.K00	27.K00
For cable dimensions	flat up to 55x20mm	flat up to 55x20mm	flat up to 55x20mm	flat up to 55x20mm	flat up to 55x20mm

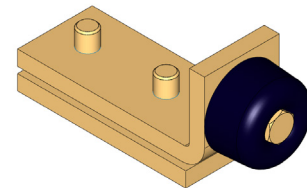
NIKO Profile No.	23.000	24.000	25.000	26.000/27.000
Item Ref	23.K02	24.K02	25.K02	26.K02
For cable dimensions	flat up to 55x20mm	flat up to 55x20mm	flat up to 55x20mm	flat up to 55x20mm



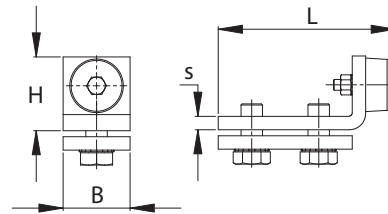
Track end stop

.X01

The end stop with a rubber buffer is positioned at the end of the open profiles. Used in conjunction with a fixed cross bolt.

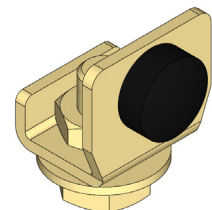


NIKO Profile No.	23.000	24.000	25.000	26.000 /27.000
Part No.	23.X01	24.X01	25.X01	26.X01
L (mm)	70	75	122	135
h (mm)	25	30	45	55
b (mm)	10	10	22	22

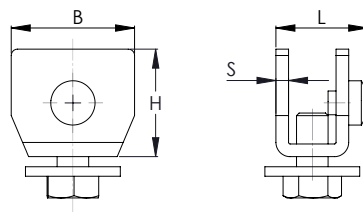


Track End Stop (short)

.X04



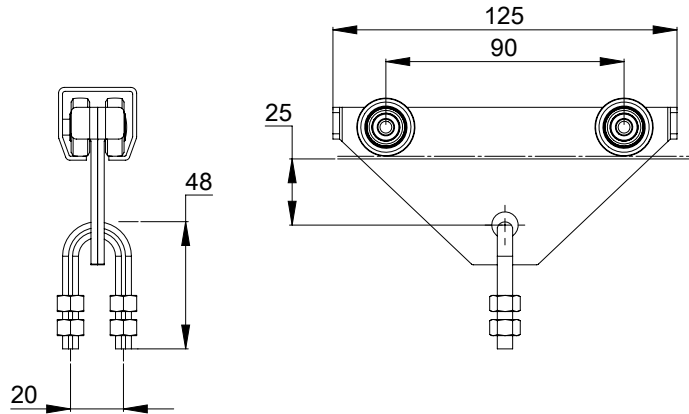
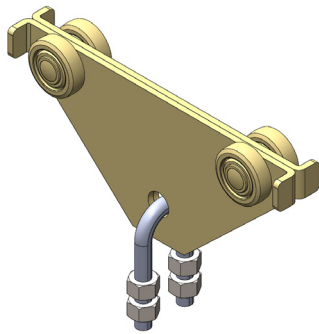
NIKO Profile No.	21.000
Part No.	21.X04
L (mm)	25
H (mm)	23
b (mm)	6



CABLE TROLLEYS AND FESTOON SYSTEMS

Suspension trolley

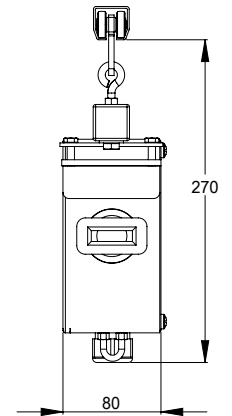
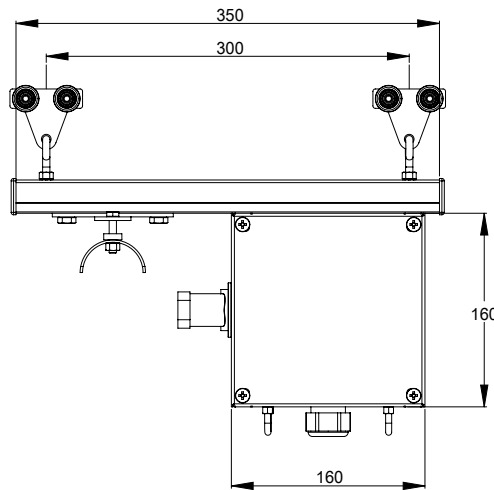
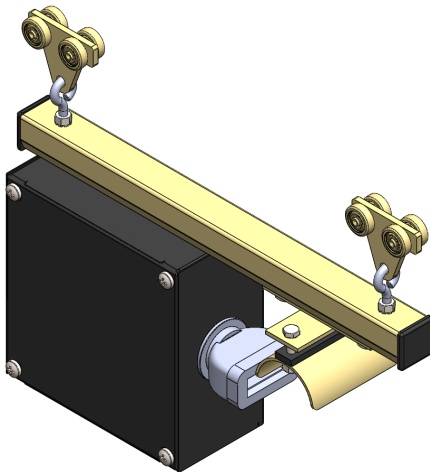
21.L16



Remote pendant trolley with terminal box for pendant control station - flat cable

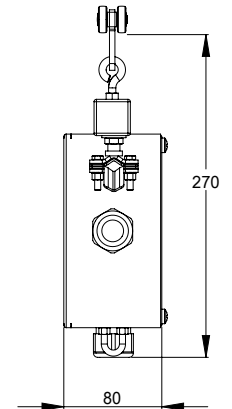
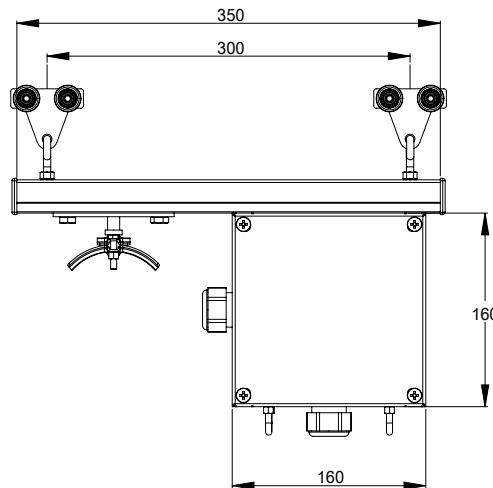
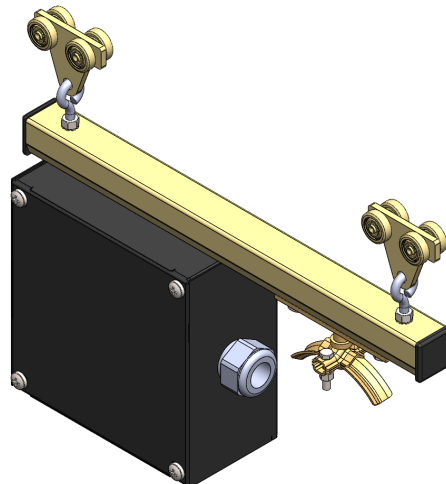
.L50

CABLE TROLLEYS AND FESTOON SYSTEMS

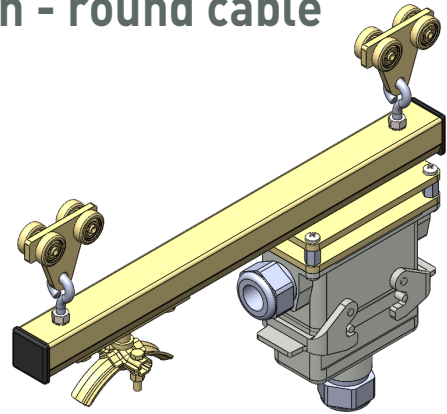
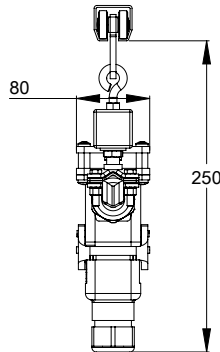
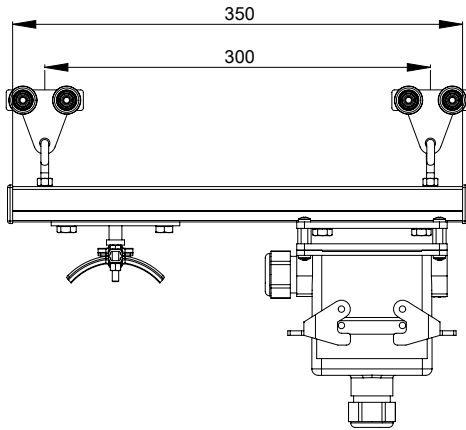


Remote pendant trolley with terminal box for pendant control station - round cable

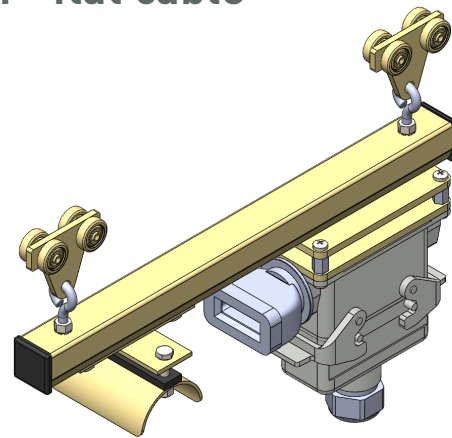
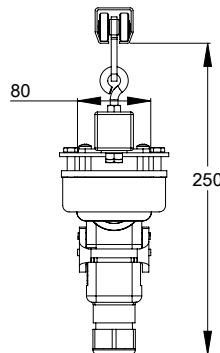
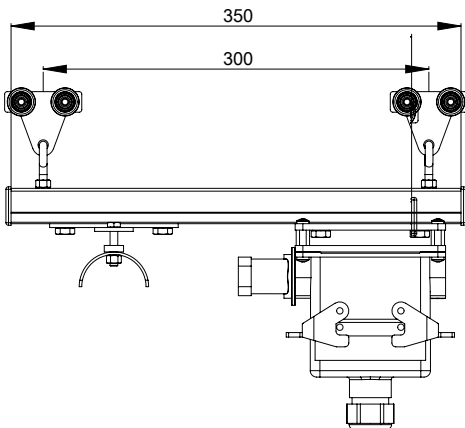
.L51



Remote pendant trolley with .L52/.L53 plug/socket for pendant control station - round cable



Remote pendant trolley with .L57/.L58 plug/socket for pendant control station - flat cable



CABLE TROLLEYS
AND FESTOON SYSTEMS

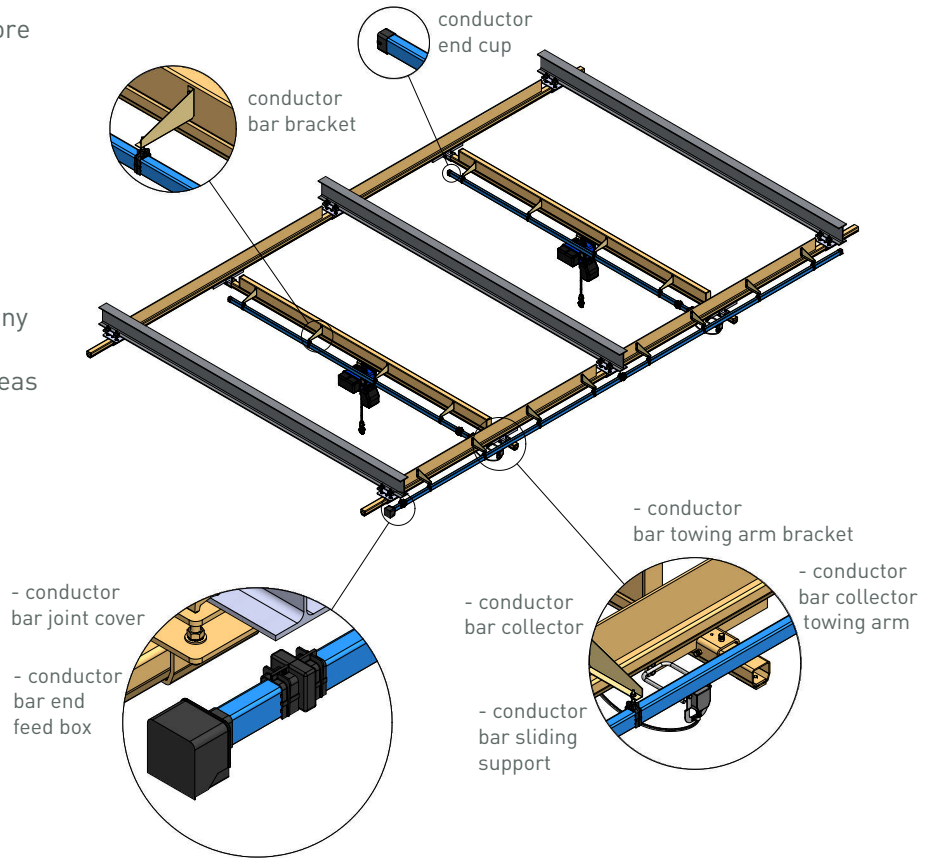
NIKO Profile No.	Cable type	Number of terminals
21.L52	round cable	16 + G
21.L53	round cable	24 + G
21.L57	flat cable	16 + G
21.L58	flat cable	24 + G

Conductor bar system

Conductor bar system is an ideal solution for supplying power to overhead cranes, electric chain hoists, travelling machine beds and other moving industrial machinery.

Advantages

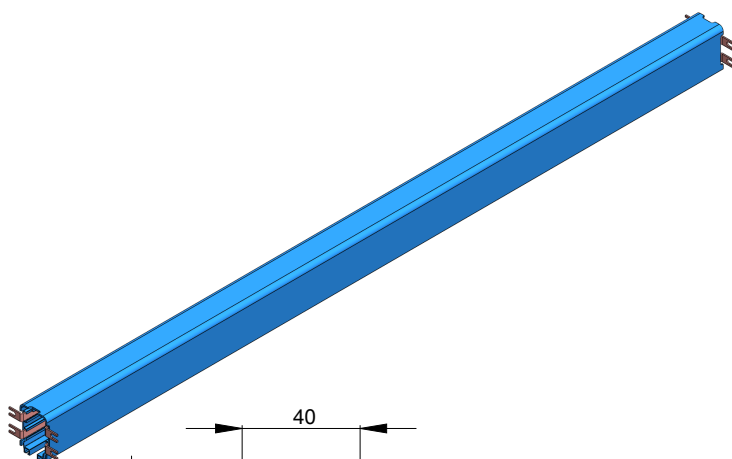
- No hanging cables and therefore safer
- Unhindered travel length - no cable bunch up at feed end
- Ability to feed more than 2 machines at the same time
- No limit to the length of the system
- Very quick and easy to install
- Can be fed from an end or at any joint
- Ideal for space constrained areas due to compact housing size



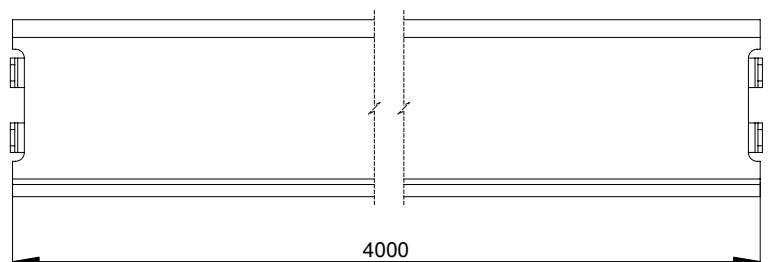
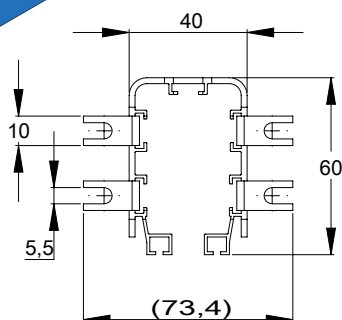
CABLE TROLLEYS AND FESTOON SYSTEMS

4-Pole conductor bar 4M 60A

TR.001



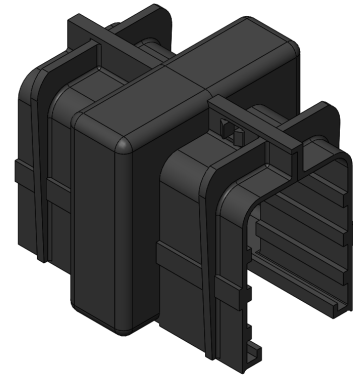
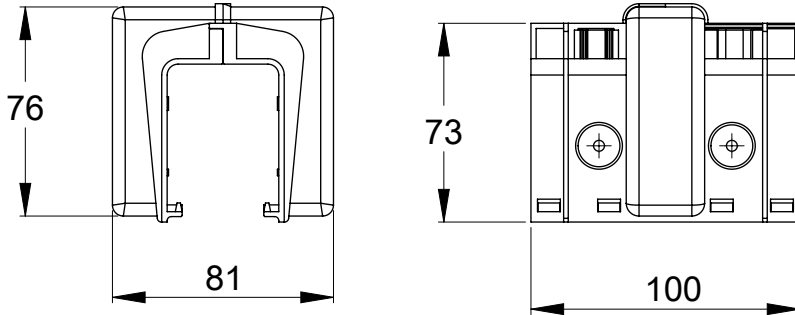
Straight busbar with premounted conductors with self-extinguishing material and one way trolley insertion pin.



Conductor bar joint cover

TR.002

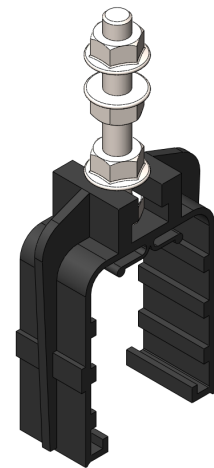
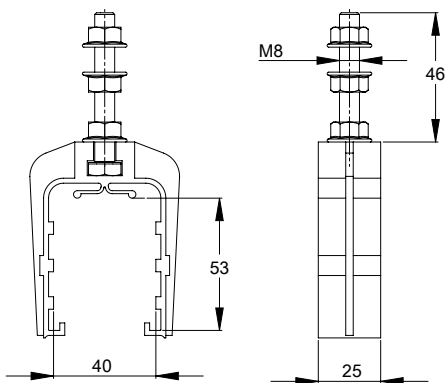
Joints serve the connection between two sections of the insulated conductors and provide mechanical and electrical continuity. Fast assembly



Conductor bar sliding support

TR.003

Sliding support serves as hanger clamp for the conductor bar. Fast connection.

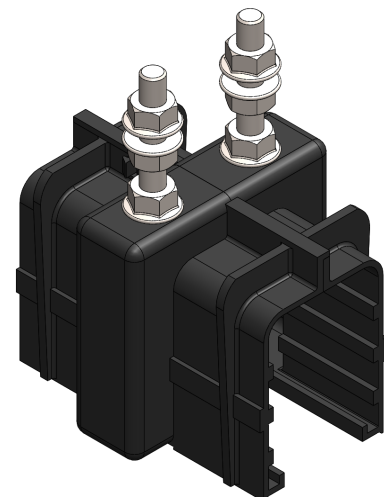
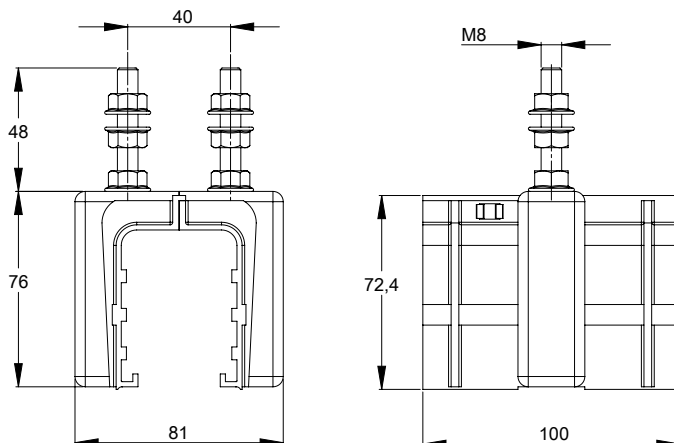


CABLE TROLLEYS
AND FESTOON SYSTEMS

Conductor bar fixed support

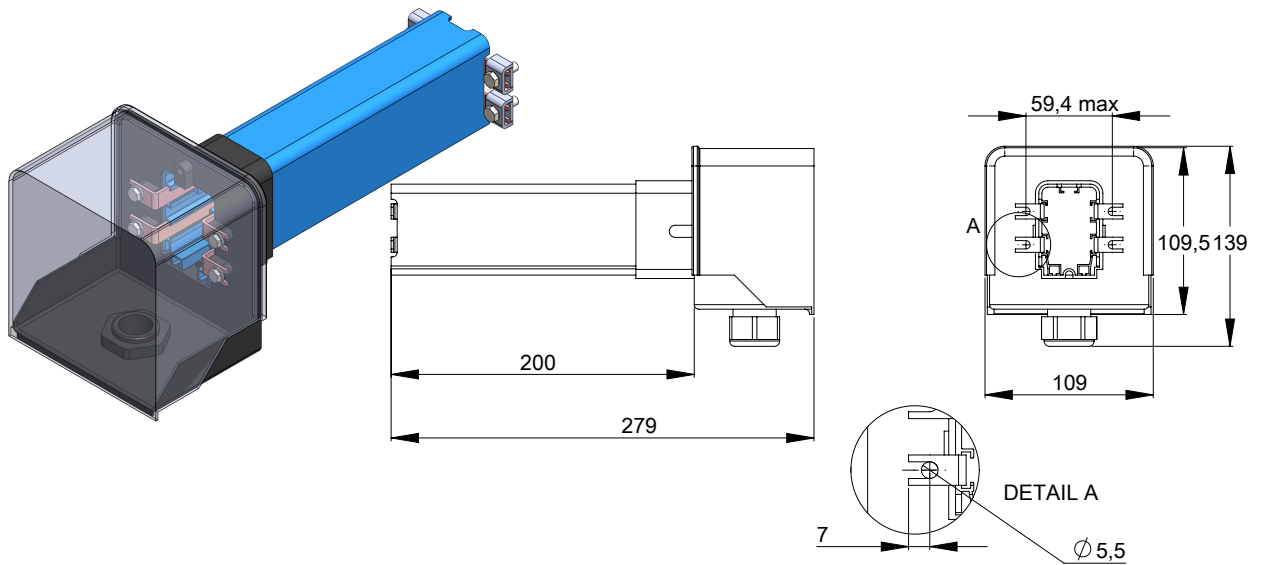
TR.004

The fixed joint ensures the correct distribution of the line expansion. Fast assembly



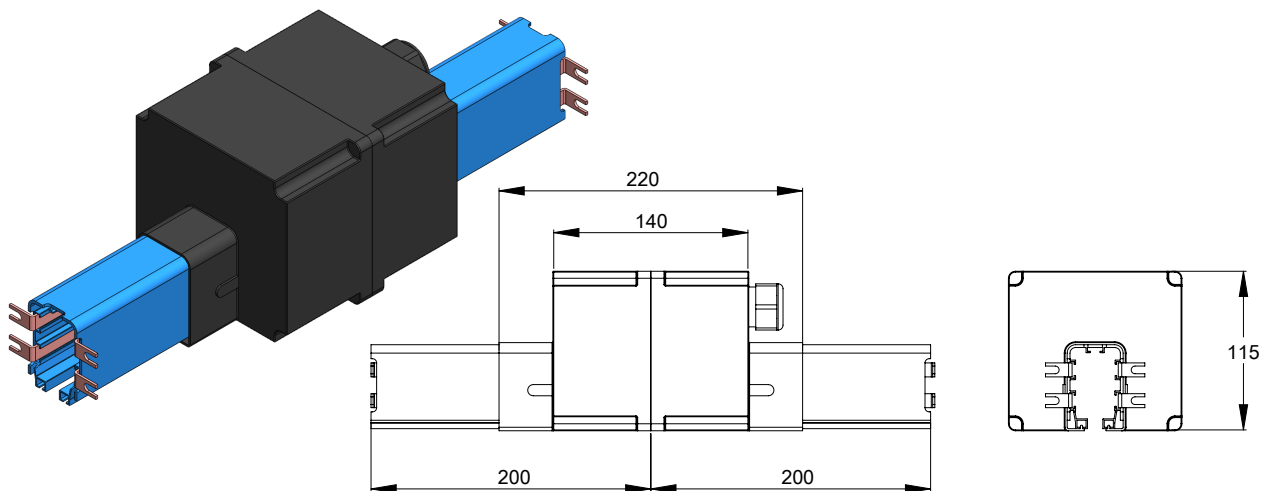
Conductor bar end feed box

TR.005



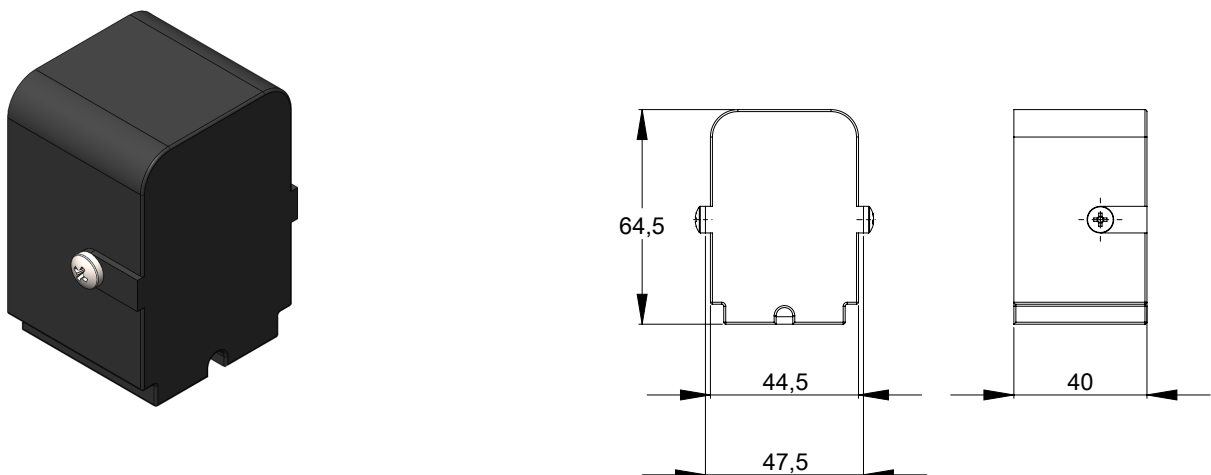
Conductor bar line feed box 4-P

TR.006



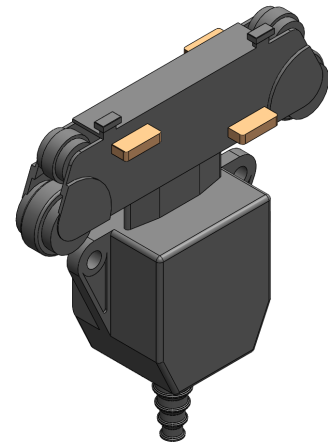
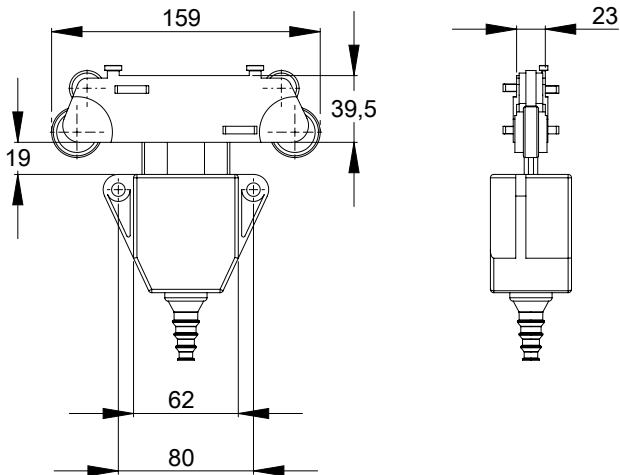
Conductor bar end cap

TR.007



Conductor bar 25AMP collector trolley

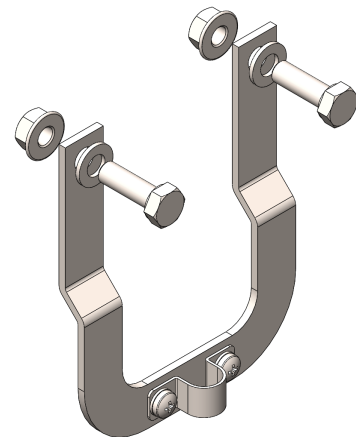
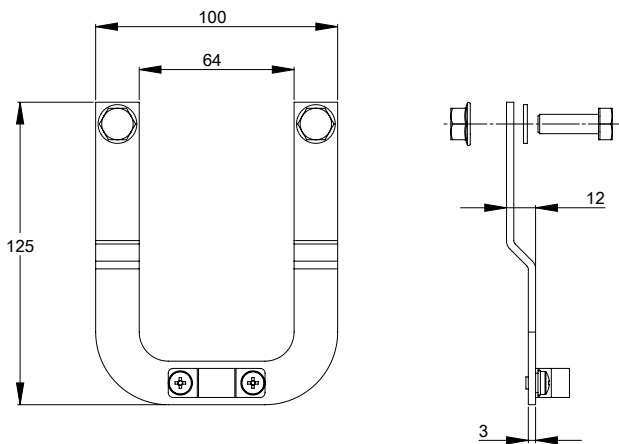
TR.008



Conductor bar towing arm bracket

Fixed to the trolley permits to the mobile device to tow the trolley.

TR.009

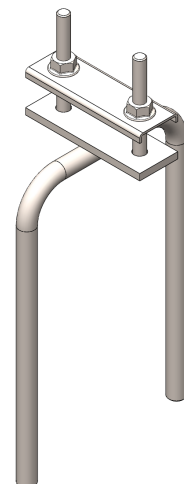
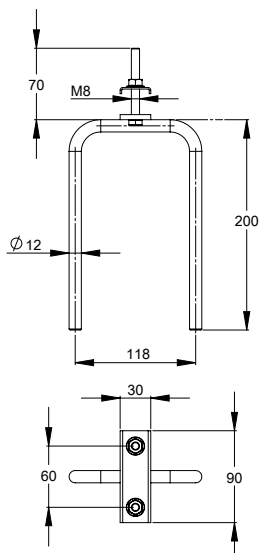


CABLE TROLLEYS
AND FESTOON SYSTEMS

Conductor bar collector towing arm

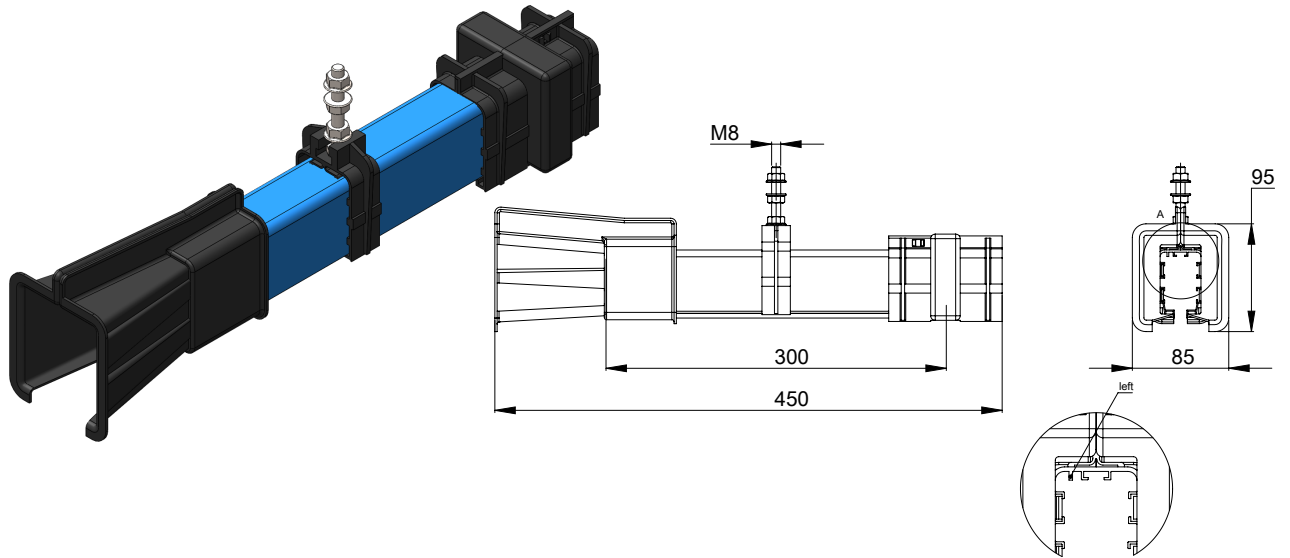
Fixed to the mobile device permits to tow the trolley.

TR.010



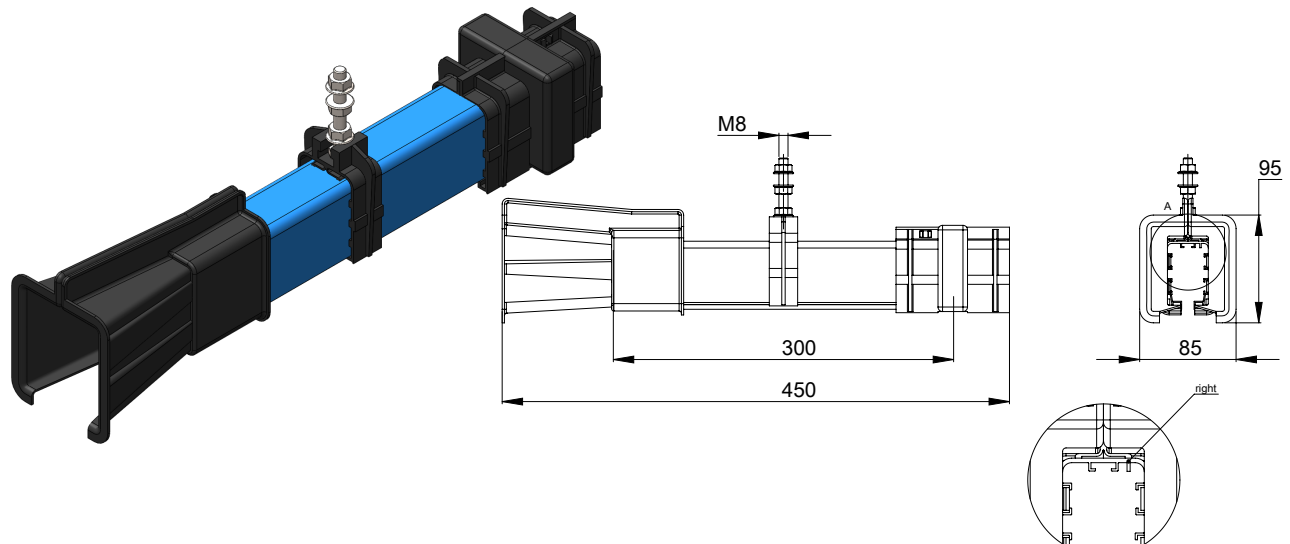
Conductor bar funnel assembly - left

TR.011



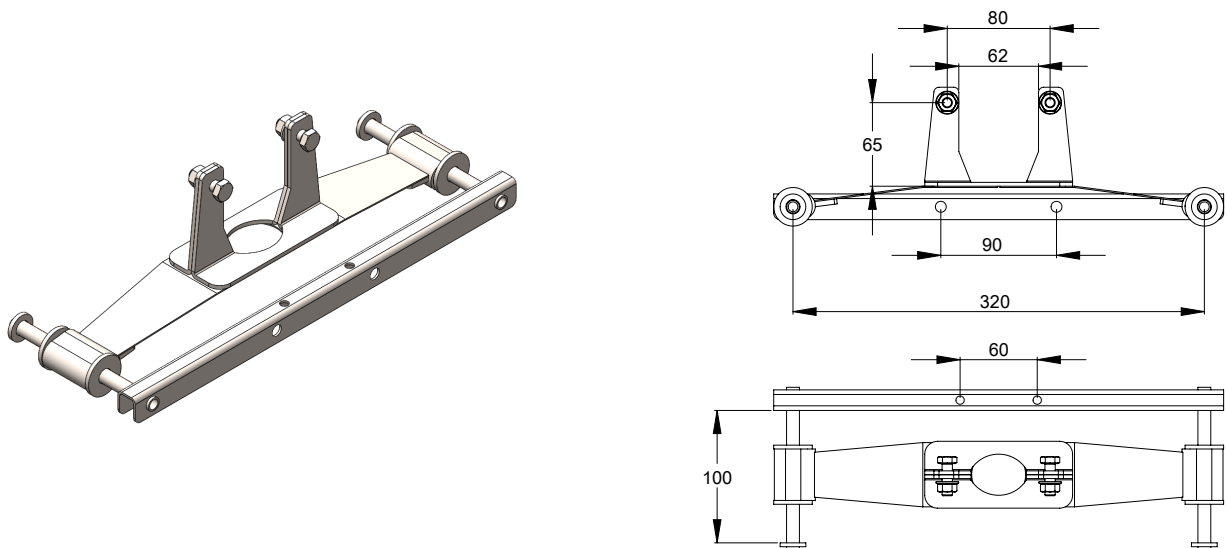
Conductor bar funnel assembly - right

TR.012



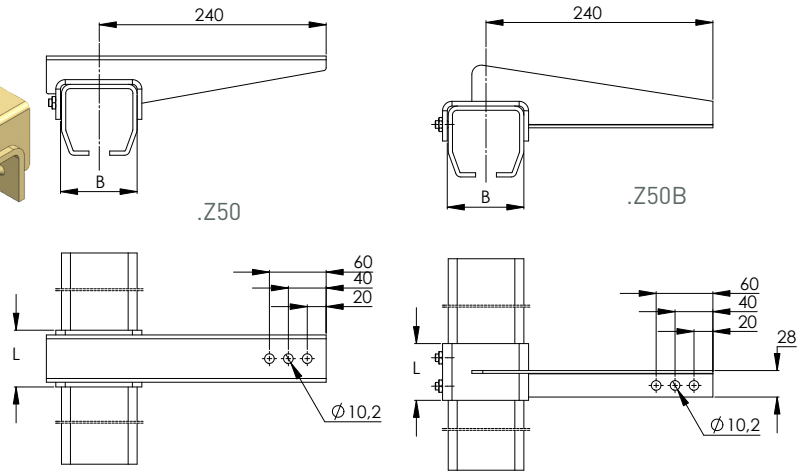
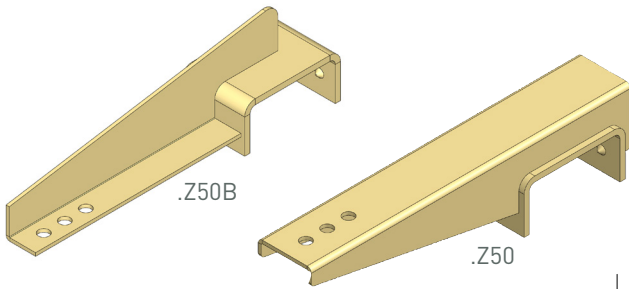
Conductor bar spring towing arm

TR.013



Conductor bar/auxiliary line bracket from tracks .Z50/.Z50B

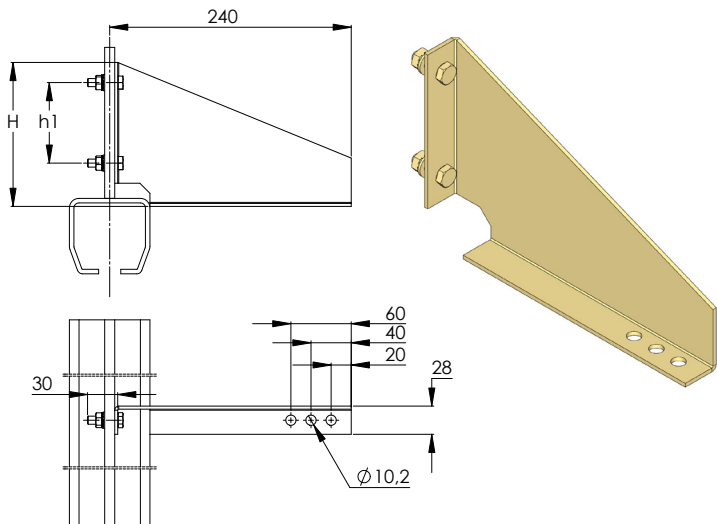
*For bridge crane use bracket .Z50B



NIKO Profile No.	24.000	25.000	26.000	27.000
Part No.	24.Z50	25.Z50	26.Z50	27.Z50
Part No.	24.Z50B	25.Z50B	26.Z50B	-
B (mm)	50	67	82	92
L (mm)	50	60	60	60

Conductor bar/auxiliary line bracket from track .030

.Z51

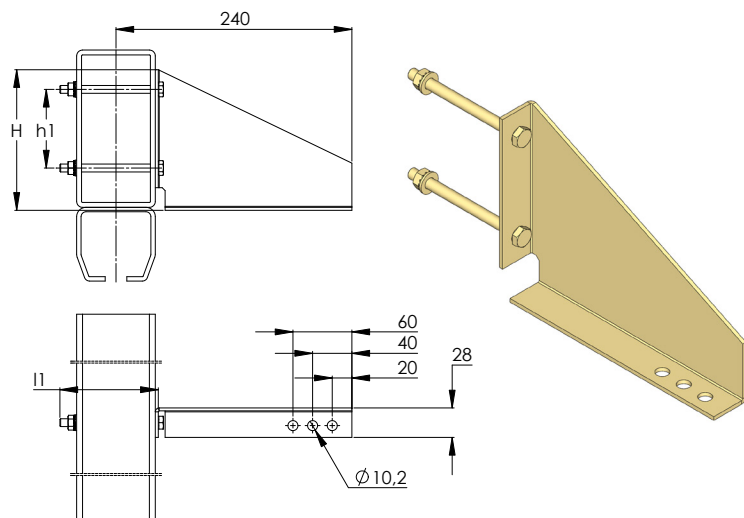


NIKO Profile No.	24.000	25.000	26.000	27.000
Part No.	24.Z51	25.Z51	26.Z51	27.Z51
H (mm)	100	120	145	160
h (mm)	60	70	80	90

CABLE TROLLEYS AND FESTOON SYSTEMS

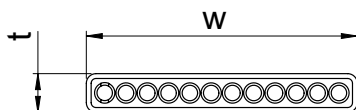
Conductor bar/auxiliary line bracket from track .080

.Z52



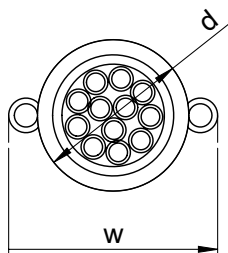
NIKO Profile No.	24.000	25.000	26.000	27.000
Part No.	24.Z52	25.Z52	26.Z52	27.Z52
H (mm)	100	120	145	160
h (mm)	60	70	80	90
l1 (mm)	70	80	100	120

PVC Flat cable



Part No.	Description	Cables (mm ²)	w	t	Approx Weight (g/m)	Permissible Current Rating [Amp.]	
1.X3.301	PVC Flat cable – 4core x 1.5mm ²	4x1,5	15	5	150	20	
1.X3.302	PVC Flat Cable 4core x 2.5mm ²	4x2,5	18,5	5,7	250	27	
1.X3.303	PVC Flat cable 8core x 1.5mm ²	8x1,5	29	5	295	14	
1.X3.304	PVC Flat cable 8core x 2.5mm ²	8x2,5	37	5,7	430	20	
1.X3.305	PVC Flat Cable 12core 1.5mm ²	12x1,5	41	5	415	11	
1.X3.306	PVC Flat cable 12core x 2.5mm ²	12x2,5	51	5,7	630	16	
1.X3.307	PVC flat cable 4core x 4mm ²	4x4	21,5	6,9	320	36	
1.X3.308	PVC Flat cable 4core x 6mm ²	4x6	24,5	7,6	430	48	
1.X3.309	PVC Flat cable 4core x 10mm ²	4x10	31	9,6	690	63	
1.X3.310	PVC Flat cable 4core x 16mm ²	4x16	35,5	10,9	970	85	
1.X3.311	PVC flat cable 12core x 32mm ²	12x32	available upon request				
1.X3.312	PVC flat cable 5core x 4mm ²	5x4	26	6,9x26	390	36	
1.X3.313	PVC flat cable 7core 4mm ²	7x4	38	6,9x38	560	25	

Pendant cable



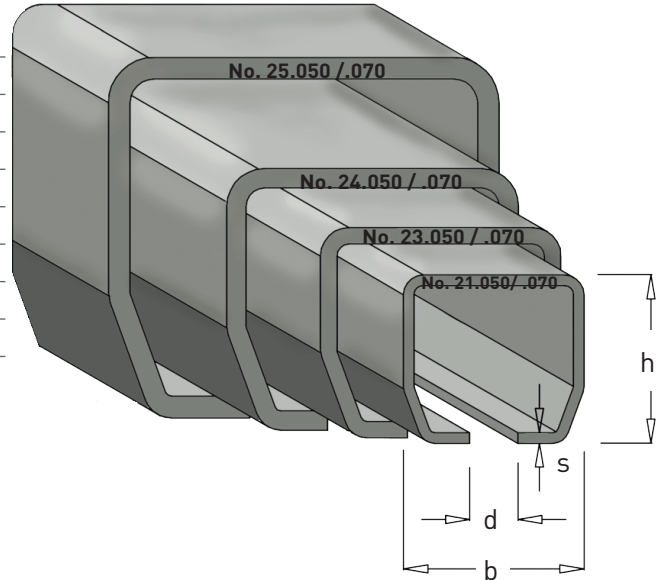
Part No.	Description	Cables (mm ²)	w	d	Approx Weight (g/m)	Permissible Current Rating [Amp.]
1.X3.314	NikoFLEX pendant cable 5core x 1.5mm ²	5x1,5	21,5	10,5	240	20
1.X3.315	NikoFLEX Pendant cable 8core x 1.5mm ²	8x1,5	23,6	13,4	420	20
1.X3.316	NikoFlex Pendant cable 12core x 1.5mm ²	12x1,5	25,7	16,5	515	20
1.X3.317	NikoFlex Pendant cable 16core x 1.5mm ²	16x1,5	27,4	18,2	600	20
1.X3.318	NikoFlex Pendant cable 20core x 1.5mm ²	20x1,5	28,2	19	800	20
1.X3.319	NikoFlex Pendant cable 24core x 1.5mm ²	24x1,5	31,1	21,9	960	20
1.X3.320	BOITALYON Pendant Cable 30core x 1.5mm ²	30x1,5	32,9	23,7	1120	20
1.X3.321	Pendant Cable with central Strainer Wire 5core x 1mm ²	5x1		10,4	171	15

NIKO Track Profiles, stainless steel

STAINLESS
STEEL
304

STAINLESS
STEEL
316

NIKO Profil No.	Dimensions			
	h (mm)	b (mm)	d (mm)	s (mm)
21.050 Stainless steel (304)	28.00	30.00	8.00	1.75
21.070 Stainless steel (316)	28.00	30.00	8.00	1.75
23.050 Stainless steel (304)	35.00	40.00	11.00	2.75
23.070 Stainless steel (316)	35.00	40.00	11.00	2.75
24.050 Stainless steel (304)	43.50	48.50	15.00	3.20
24.070 Stainless steel (316)	43.50	48.50	15.00	3.00
25.050 Stainless steel (304)	60.00	65.00	18.00	3.60
25.070 Stainless steel (316)	60.00	65.00	18.00	4.00

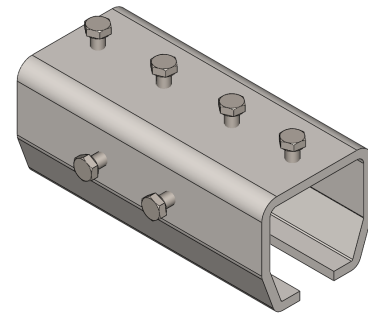


Splice joint

.B49

STAINLESS
STEEL
304

STAINLESS
STEEL
316



NIKO Profile No.	21.050/.070	23.050/.070	24.050/.070	25.050/.070
Part No. (304)	51.B49	53.B49	54.B49	55.B49
Part No. (316)	71.B49	73.B49	74.B49	75.B49

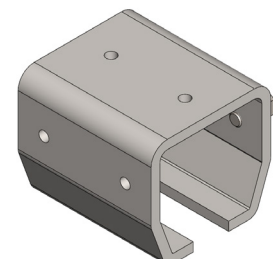
See product dimensions in page 10.

Support bracket

.B00

STAINLESS
STEEL
304

STAINLESS
STEEL
316

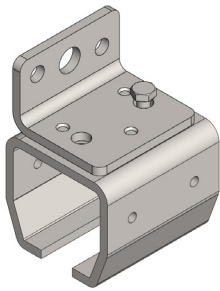


NIKO Profile No.	21.050/.070	23.050/.070	24.050/.070	25.050/.070
Part No. (304)	51.B00	53.B00	54.B00	55.B00
Part No. (316)	71.B00	73.B00	74.B00	75.B00

See product dimensions in page 10.

Wall support bracket, stainless steel

.B01

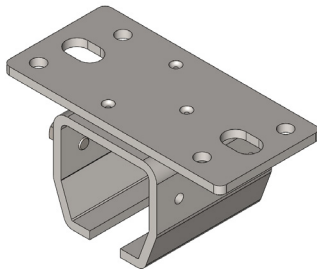


NIKO Profile No.	21.050/.070	23.050/.070	24.050/.070	25.050/.070
Part No. (304)	51.B01	53.B01	54.B01	55.B01
Part No. (316)	71.B01	73.B01	74.B01	75.B01

See product dimensions in page 11.

Ceiling support bracket, stainless steel

.B02

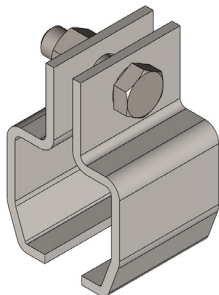


NIKO Profile No.	21.050/.070	23.050/.070	24.050/.070	25.050/.070
Part No. (304)	51.B02	53.B02	54.B02	55.B02
Part No. (316)	71.B02	73.B02	74.B02	75.B02

See product dimensions in page 11.

Split support bracket, stainless steel

.B03

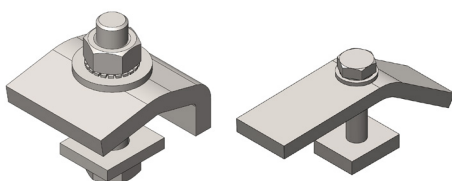


NIKO Profile No.	24.050/.070	25.050/.070
Part No. (304)	54.B03	55.B03
Part No. (316)	74.B03	75.B03

See product dimensions in page 12.

Adjustable suspension bracket (girder clamp), stainless steel

.B37



NIKO Profile No.	21.050/.070	23.050/.070
Part No. (304)	51.B37	53.B37
Part No. (316)	71.B37	73.B37

See product dimensions in page 13.

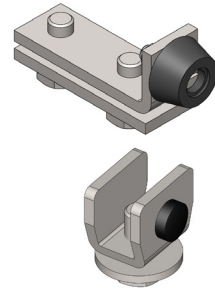
Track end stop, stainless steel

.X01/.X04



NIKO Profile No.	51./71.X04	23.050/.070	24.050/.070	25.050/.070
Part No. [304]	51.X04	53.X01	54.X01	55.X01
Part No. [316]	71.X04	73.X01	74.X01	75.X01

See product dimensions in page 25.



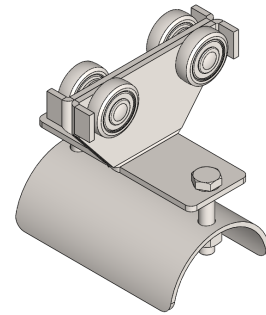
Flat cable trolley, stainless steel

.L10



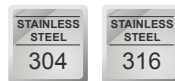
NIKO Profile No.	21.050/.070	23.050/.070	24.050/.070	25.050/.070
Part No. [304]	51.L10	53.L10	54.L10	55.L10
Part No. [316]	71.L10	73.L10	74.L10	75.L10

See product dimensions in page 19.



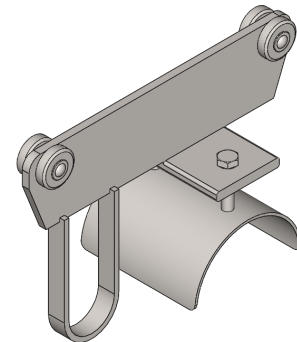
Flat cable towing trolley, stainless steel

.M10



NIKO Profile No.	21.050/.070	23.050/.070	24.050/.070	25.050/.070
Part No. [304]	51.M10	53.M10	54.M10	55.M10
Part No. [316]	71.M10	73.M10	74.M10	75.M10

See product dimensions in page 20.



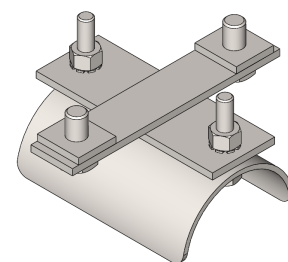
Flat cable end clamp, stainless steel

.K10



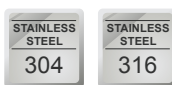
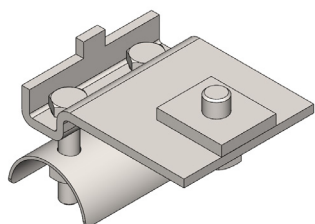
NIKO Profile No.	21.050/.070	23.050/.070	24.050/.070	25.050/.070
Part No. [304]	51.K10	53.K10	54.K10	55.K10
Part No. [316]	71.K10	73.K10	74.K10	75.K10

See product dimensions in page 21.



Cable end clamp, stainless steel

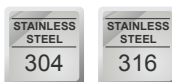
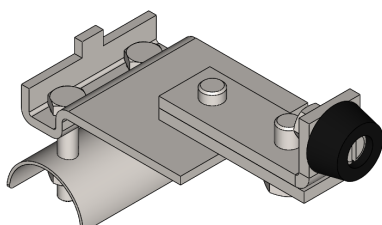
.K00



NIKO Profile No.	23.050/.070	24.050/.070	25.050/.070
Part No. (304)	53.K00	54.K00	55.K00
Part No. (316)	73.K00	74.K00	75.K00

See product dimensions in page 25.

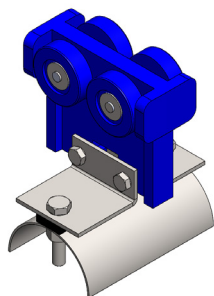
End stop with cable end clamp, stainless steel .K02



NIKO Profile No.	23.050/.070	24.050/.070	25.050/.070
Part No. (304)	53.K02	54.K02	55.K02
Part No. (316)	73.K02	74.K02	75.K02

See product dimensions in page 25.

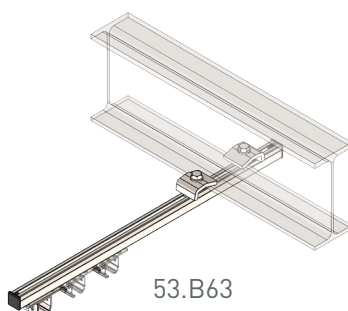
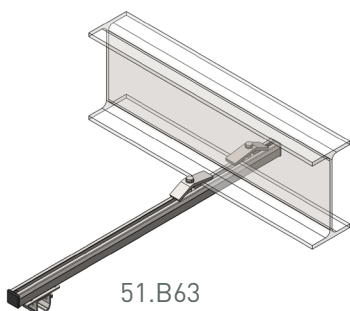
Cable trolley (nylon), stainless steel .L01



NIKO Profile No.	23.050/.070	24.050/.070	25.050/.070
Part No. (304)	53.L01	54.L01	55.L01
Part No. (316)	73.L01	74.L01	75.L01

See product dimensions in page 24.

Support bracket assembly (underside mounting), stainless steel .B63

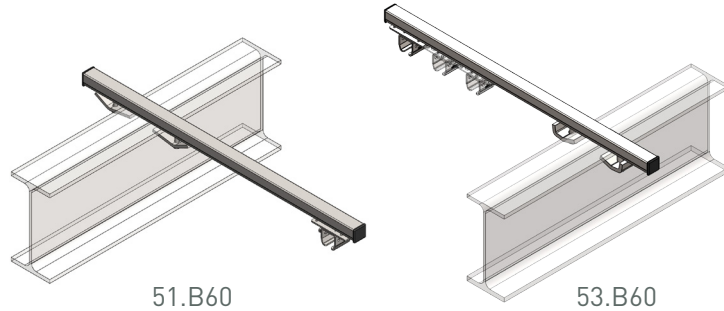


NIKO Profile No.	21.050/.070	23.050/.070
Part No. (304)	51.B63	53.B63
Part No. (316)	71.B63	73.B63

See product dimensions in page 16.

Support bracket assembly (top mounting) , stainless steel

.B60



51.B60

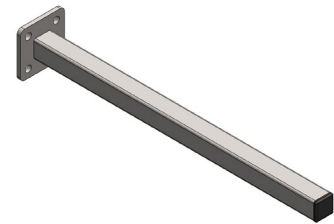
53.B60

NIKO Profile No.	21.050/.070	23.050/.070
Part No. (304)	51.B60	53.B60
Part No. (316)	71.B60	73.X01

See product dimensions in page 15.

Towing arm, stainless steel

.Z31



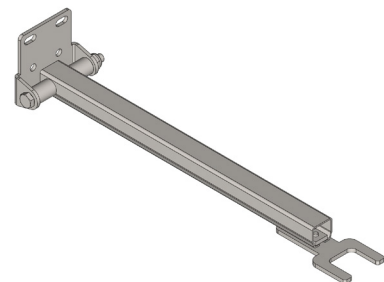
CABLE TROLLEYS
AND FESTOON SYSTEMS

NIKO Profile No.	21.050/.070
Part No. (304)	51.Z31
Part No. (316)	71.Z31

See product dimensions in page 17.

Swinging towing arm, stainless steel

.Z32

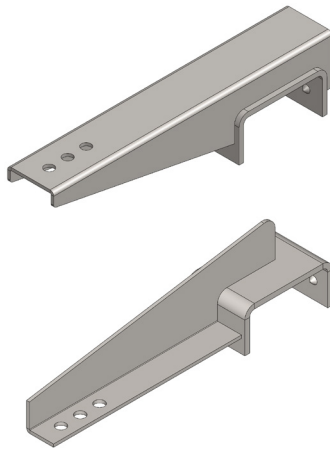


NIKO Profile No.	21.050/.070
Part No. (304)	51.Z32
Part No. (316)	71.Z32

See product dimensions in page 17.

Conductor bar/auxiliary line bracket from tracks .000 & .045, stainless steel

.Z50/.Z50B

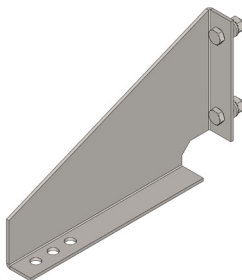


NIKO Profile No.	24.050/.070	25.050/.070
Part No. (304)	54.Z50	55.Z50
Part No. (316)	74.Z50	75.Z50
Part No. (304)	54.Z50B	55.Z50B
Part No. (316)	74.Z50B	75.Z50B

See product dimensions in page 33.

Conductor bar/auxiliary line bracket from track .030, stainless steel

.Z51

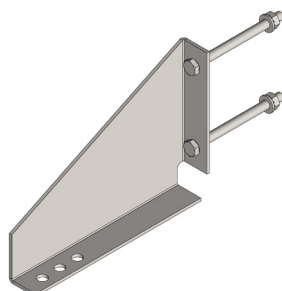


NIKO Profile No.	24.050/.070	25.050/.070
Part No. (304)	54.Z51	55.Z51
Part No. (316)	74.Z51	75.Z51

See product dimensions in page 33.

Conductor bar/auxiliary line bracket from track .080, stainless steel

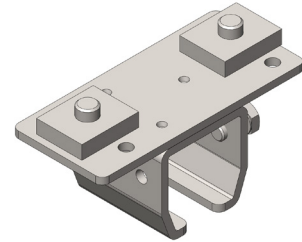
.Z52



NIKO Profile No.	24.050/.070	25.050/.070
Part No. (304)	54.Z52	55.Z52
Part No. (316)	74.Z52	75.Z52

See product dimensions in page 33.

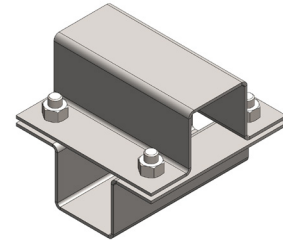
Square tube connector clamp, stainless steel .B62



NIKO Profile No.	21.050/.070	23.050/.070
Part No. (304)	51.B62	53.B62
Part No. (316)	71.B62	73.B62

See product dimensions in page 14.

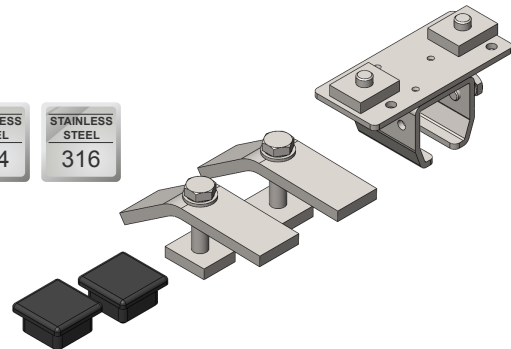
Square tube connector clamp, stainless steel .Z61/.Z62



NIKO Profile No.	21.050/.070	
	.Z61	.Z62
Part No. (304)	51.Z61	51.Z62
Part No. (316)	71.Z61	71.Z62

See product dimensions in page 18.

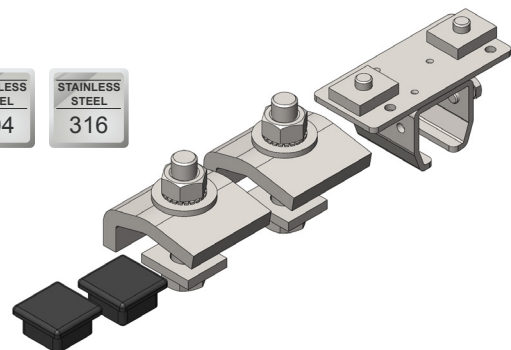
Set for customized brackets, stainless steel 51.Z60



NIKO Profile No.	21.050/.070
Part No. (304)	51.Z60
Part No. (316)	71.Z60

See product dimensions in page 14.

53.Z60

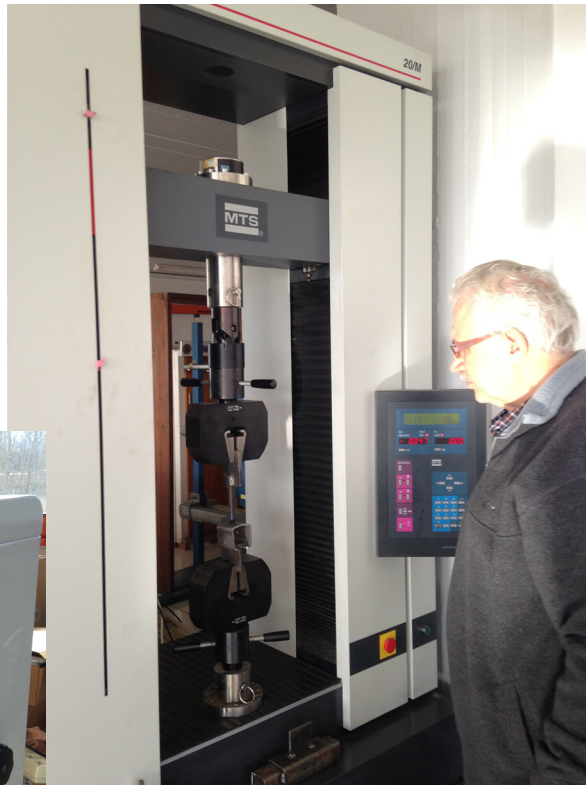
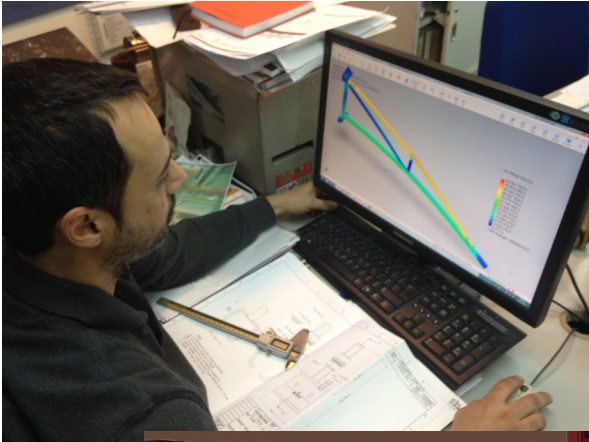


NIKO Profile No.	23.050/.070
Part No. (304)	53.Z60
Part No. (316)	73.Z60

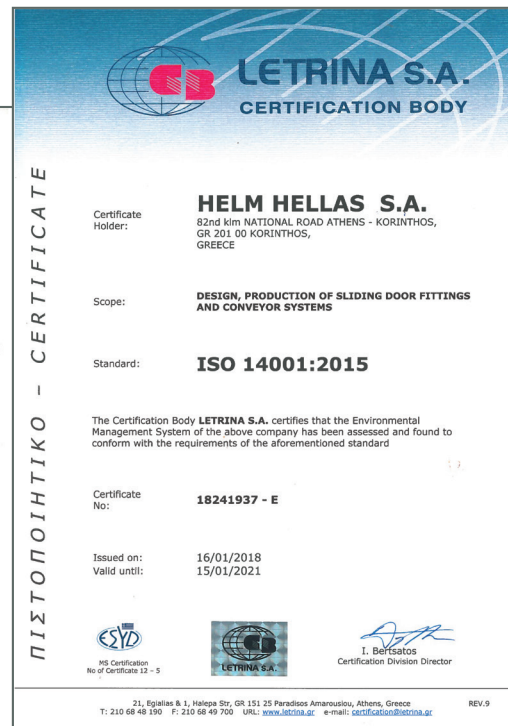
See product dimensions in page 14.

Part No.	Page	Part No.	Page	Part No.	Page	Part No.	Page	Part No.	Page	Part No.	Page
21.000	9	21.Z31.400	17	24.B20	13	25.Z50	33	53.B37	36	73.L10	37
21.050	35	21.Z31.650	17	24.B49	10	25.Z50B	33	53.B49	35	73.M10	37
21.070	35	21.Z32	17	24.B50	10	25.Z52	33	53.B60	39	73.X01	37
23.000	9	21.Z60	14	24.K00	25	26.B00	10	53.B62	41	73.X01	39
23.050	35	21.Z61	18	24.K02	25	26.B01	11	53.B63	38	73.Z60	41
23.070	35	21.Z62	18	24.K10	21	26.B02	11	53.K00	38	74.B00	35
24.000	9	23.B00	10	24.K11	21	26.B03	12	53.K02	38	74.B01	36
24.050	35	23.B01	11	24.K12	21	26.B16	13	53.K10	37	74.B02	36
24.070	35	23.B02	11	24.K15	22	26.B18	13	53.L01	38	74.B03	36
25.000	9	23.B03	12	24.K24	22	26.B20	13	53.L10	37	74.B49	35
25.050	35	23.B08	13	24.K32	22	26.B22	13	53.M10	37	74.K00	38
25.070	35	23.B10	13	24.K43	22	26.B24	13	53.X01	37	74.K02	38
26.000	9	23.B12	13	24.L10	19	26.B26	13	53.Z60	41	74.K10	37
27.000	9	23.B14	13	24.L15	21	26.B49	10	54.B00	35	74.L01	38
1.X3.301	34	23.B37	13	24.L24	21	26.B50	10	54.B01	36	74.L10	37
1.X3.302	34	23.B49	10	24.L32	21	26.K00	25	54.B02	36	74.M10	37
1.X3.303	34	23.B50	10	24.L43	21	26.K02	25	54.B03	36	74.X01	37
1.X3.304	34	23.B60.500	15	24.M10	20	26.K10	21	54.B49	35	74.Z50	40
1.X3.305	34	23.B60.600	15	24.M11	20	26.K15	22	54.K00	38	74.Z50B	40
1.X3.306	34	23.B60.700	15	24.M12	20	26.K24	22	54.K02	38	74.Z51	40
1.X3.307	34	23.B60.800	15	24.M14	20	26.K32	22	54.K10	37	74.Z52	40
1.X3.308	34	23.B60.900	15	24.M15	22	26.K43	22	54.L01	38	75.B00	35
1.X3.309	34	23.B62	14	24.M24	22	26.L10	19	54.L10	37	75.B01	36
1.X3.310	34	23.B63.500	16	24.M32	22	26.L15	21	54.M10	37	75.B02	36
1.X3.311	34	23.B63.600	16	24.M43	22	26.L24	21	54.X01	37	75.B03	36
1.X3.312	34	23.B63.700	16	24.N15	23	26.L32	21	54.Z50	40	75.B49	35
1.X3.313	34	23.B63.800	16	24.N24	23	26.L43	21	54.Z50B	40	75.K00	38
1.X3.314	34	23.B63.900	16	24.N32	23	26.M10	20	54.Z51	40	75.K02	38
1.X3.315	34	23.B64	12	24.N43	23	26.M14	20	54.Z52	40	75.K10	37
1.X3.316	34	23.K00	25	24.X01	25	26.M15	22	55.B00	35	75.L01	38
1.X3.317	34	23.K02	25	24.Z50	33	26.M24	22	55.B01	36	75.L10	37
1.X3.318	34	23.K10	21	24.Z50B	33	26.M32	22	55.B02	36	75.M10	37
1.X3.319	34	23.K11	21	24.Z51	33	26.M43	22	55.B03	36	75.X01	37
1.X3.320	34	23.K12	21	24.Z52	33	26.X01	25	55.B49	35	75.Z50	40
1.X3.321	34	23.K15	22	25.B00	10	26.Z50	33	55.K00	38	75.Z50B	40
21.B00	10	23.K24	22	25.B01	11	26.Z50B	33	55.K02	38	75.Z51	40
21.B01	11	23.K32	22	25.B02	11	26.Z51	33	55.K10	37	75.Z52	40
21.B02	11	23.K43	22	25.B03	12	26.Z52	33	55.L01	38	IN.21	19
21.B03	12	23.L00	23	25.B10	13	27.B00	10	55.L10	37	IN.23	19
21.B37	13	23.L01	24	25.B12	13	27.B01	11	55.M10	37	IN.24	19
21.B49	10	23.L10	19	25.B14	13	27.B02	11	55.X01	37	IN.25	19
21.B50	10	23.L11	19	25.B16	13	27.B03	12	55.Z50	40	.L50	26
21.B60.500	15	23.L15	21	25.B18	13	27.B20	13	55.Z50B	40	.L51	26
21.B60.600	15	23.L19	24	25.B20	13	27.B22	13	55.Z51	40	PB.23	19
21.B60.700	15	23.L24	21	25.B22	13	27.B24	13	55.Z52	40	PB.24	19
21.B62	14	23.L32	21	25.B24	13	27.B26	13	71.B00	35	PB.25	19
21.B63.500	16	23.L43	21	25.B26	13	27.B49	10	71.B01	36	PB.26	19
21.B63.600	16	23.M10	20	25.B37	13	27.B50	10	71.B02	36	PB.27	19
21.B63.700	16	23.M11	20	25.B49	10	27.L00	23	71.B37	36	PL.23	19
21.B64	12	23.M12	20	25.B50	10	27.L01	24	71.B49	35	PL.24	19
21.K10	21	23.M14	20	25.K00	25	27.L19	24	71.B60	39	PL.25	19
21.K13	21	23.M15	22	25.K02	25	27.X01	25	71.B62	41	PL.26	19
21.K15	22	23.M24	22	25.K10	21	27.Z50	33	71.B63	38	PL.27	19
21.K24	22	23.M32	22	25.K15	22	27.Z52	33	71.K10	37	PLN.23	19
21.L10	19	23.M43	22	25.K24	22	51.B00	35	71.L10	37	PLN.24	19
21.L11	19	23.N15	23	25.K32	22	51.B01	36	71.M10	37	PLN.25	19
21.L15	21	23.N24	23	25.K43	22	51.B02	36	71.X04	37	PLN.26	19
21.L16	26	23.N32	23	25.L00	23	51.B37	36	71.Z31	39	PLN.27	19
21.L24	21	23.N43	23	25.L01	24	51.B49	35	71.Z31	39	TR.001	28
21.L52	27	23.X01	25	25.L15	21	51.B60	39	71.Z60	41	TR.002	29
21.L53	27	23.Z60	14	25.L19	24	51.B62	41	71.Z61	41	TR.003	29
21.L57	27	24.B00	10	25.L24	21	51.B63	38	71.Z62	41	TR.004	29
21.L58	27	24.B01	11	25.L32	21	51.K10	37	73.B00	35	TR.005	30
21.M10	20	24.B02	11	25.L43	21	51.L10	37	73.B01	36	TR.006	30
21.M13	20	24.B03	12	25.M10	20	51.M10	37	73.B02	36	TR.007	30
21.M14	20	24.B08	13	25.M14	20	51.X04	37	73.B37	36	TR.008	31
21.M15	22	24.B10	13	25.M15	22	51.Z31	39	73.B49	35	TR.009	31
21.M24	22	24.B12	13	25.M24	22	51.Z31	39	73.B62	41	TR.010	31
21.N15	23	24.B14	13	25.M32	22	51.Z60	41	73.B63	38	TR.011	32
21.N24	23	24.B16	13	25.M43	22	51.Z61	41	73.K00	38	TR.012	32
21.X04	25	24.B18	13	25.X01	25	53.B00	35	73.K02	38	TR.013	32
						53.B01	36	73.K10	37	X6.130	14
						53.B02	36	73.L01	38	X6.330	14

Our quality control department is manned by experienced and highly skilled engineers. Our test lab is equipped with endurance test stands, tensile stress equipment, hardness test machines and other laboratory equipment. Finite Element Analysis is also performed during the developing phase of every component.



CABLE TROLLEYS AND FESTOON SYSTEMS





AUSTRIA-NIKO Vertriebs GmbH

Hainfelder Straße 48
A - 2560 Berndorf
Tel. 0043 2672-21201
Fax 0043 2672-21201-13
office.at@niko.eu.com
www.niko.world

CHINA-NIKO TRADING (SHANGHAI) Co., Ltd

Room 605, Building #13, No.354
Linghe Road, Pudong District,
P.R.China - 200120 Shanghai
Tel. 0086 139 1814 5645
info.cn@niko.eu.com

GERMANY-NIKO Technik GmbH

Robert-Bosch-Str. 14
DE - 42489 Wülfrath
Tel. 0049 (0) 2058 9093603
Fax 0049 (0) 2058 9093604
office.de@niko.eu.com

GREECE-Helm Hellas S.A.

82nd Km Athens-Korinthos
P.O. Box 209
GR - 201 00 KORINTHOS
Tel. 0030 27410 76800
Fax 0030 27410 25368
info@niko.eu.com

POLAND- NIKO Polska

Wojska Polskiego 65A
PL - Wielun 98-300
Tel. 0048 504 00 35 56
info.pl@niko.eu.com

UNITED KINGDOM-NIKO Ltd

Units 15-21, Insight Park
Welsh Road East, Southam
Warwickshire, CV47 1NE -UK
Tel. 0044 (0) 1926 813111
Fax 0044 (0) 1926 815599
Sales@niko.co.uk
www.niko.co.uk

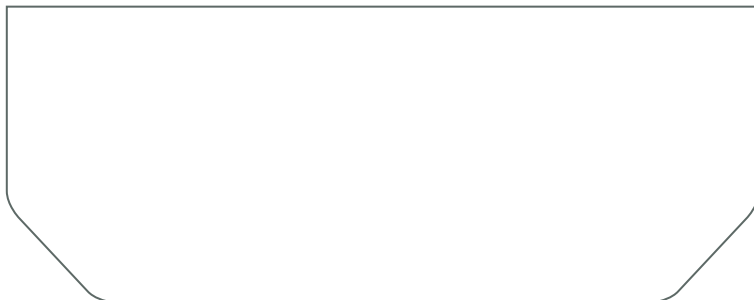
USA-NIKO Track

300 Highpoint Ave
USA - Portsmouth, RI. 02871
Tel. 001 (0) 401 683 7525
Fax 001 (0) 401 293 3848
info@nikotrack.com
www.nikotrack.com

Copyright NIKO (March 2018)
We take no obligation for layout, composition, technical modifications as well as misprints.
Subject to technical modifications / images can be differ from original.

www.niko.eu.com www.niko.co.uk www.nikotrack.com www.niko.world

Your **NIKO** agent will be happy to advise you:



Complete **NIKO** product range:

- LIGHT DUTY SLIDING DOOR HARDWARE
- HEAVY DUTY SLIDING DOOR HARDWARE
- CONVEYOR SYSTEMS
- LIGHT CRANES
- CABLE TROLLEYS, FESTOON SYSTEMS & CONDUCTOR BARS
- PERSONAL FALL ARREST SYSTEMS (EN 795)
- ACCESSORIES FOR GATES AND DOORS